
DEWALT®

www.DEWALT.com

DWE315

| | |
|---|-----------|
| English (<i>original instructions</i>) | 05 |
| 中文 (简体) | 13 |
| 中文 (繁體) | 21 |
| 한국어 | 29 |
| BAHASA INDONESIA | 37 |
| ภาษาไทย | 45 |
| TIẾNG VIỆT | 53 |

Figure 1

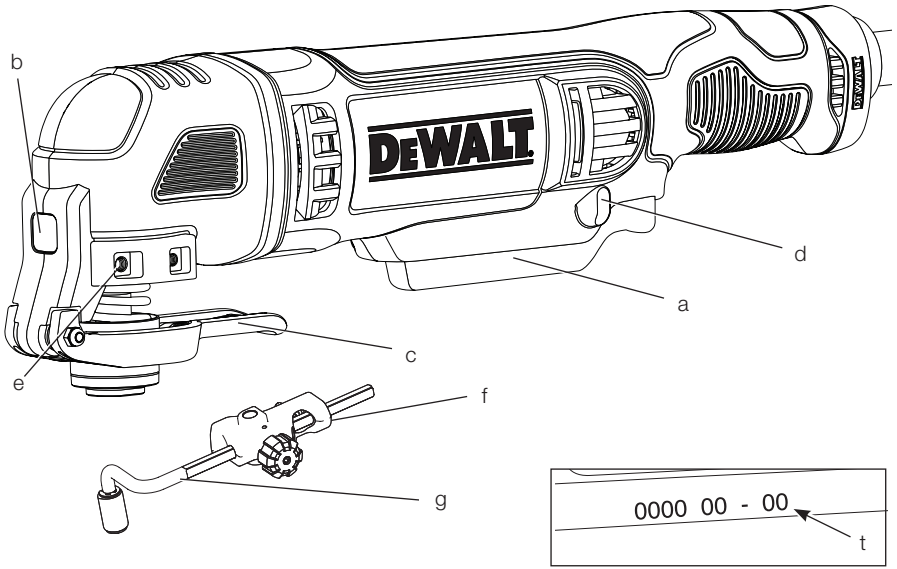


Figure 2

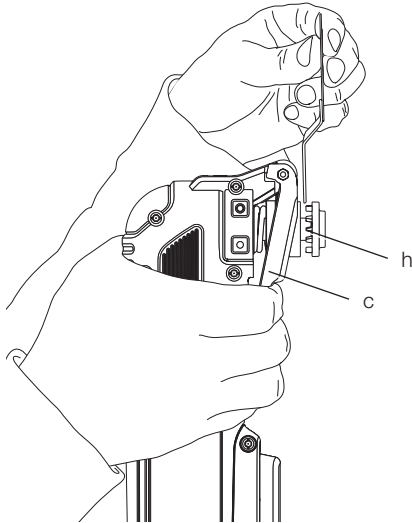


Figure 3

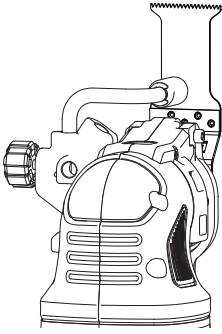


Figure 4

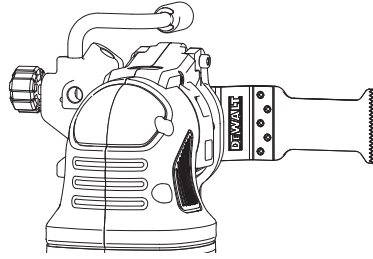


Figure 5

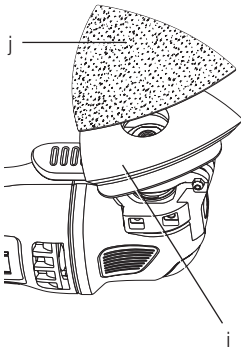


Figure 6

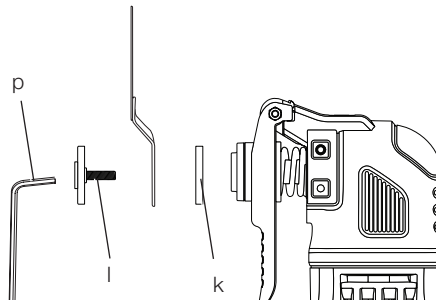


Figure 7

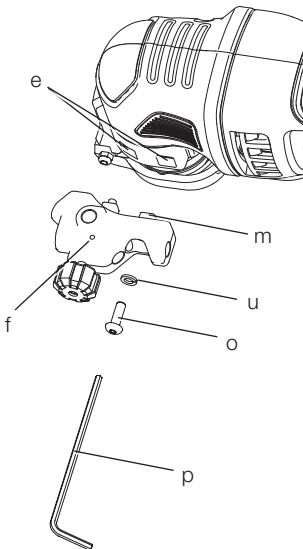


Figure 8

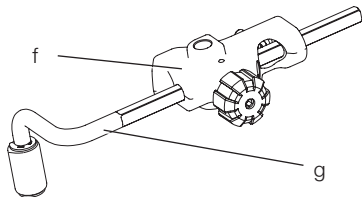


Figure 9

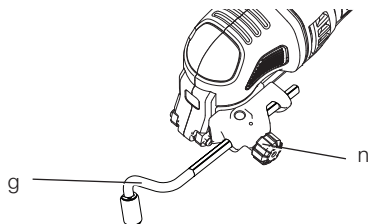


Figure 10

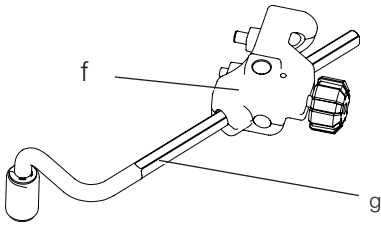


Figure 11

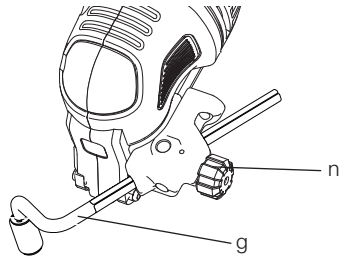


Figure 12

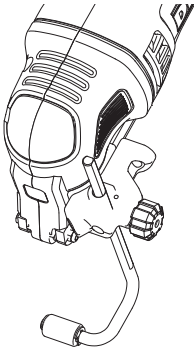


Figure 13

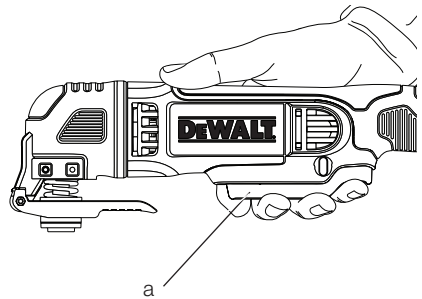


Figure 14

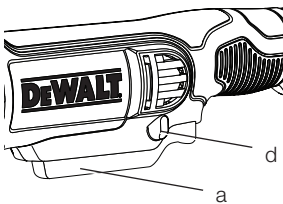


Figure 15

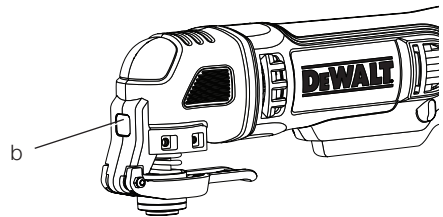


Figure 16

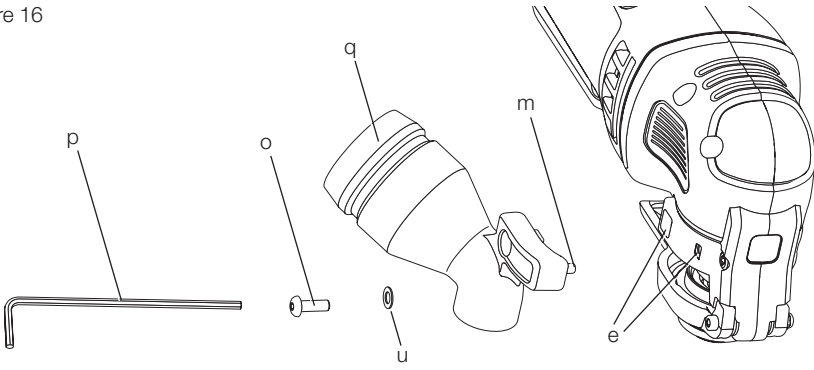


Figure 17

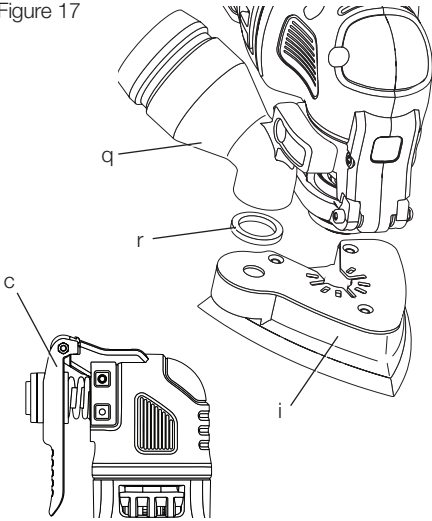
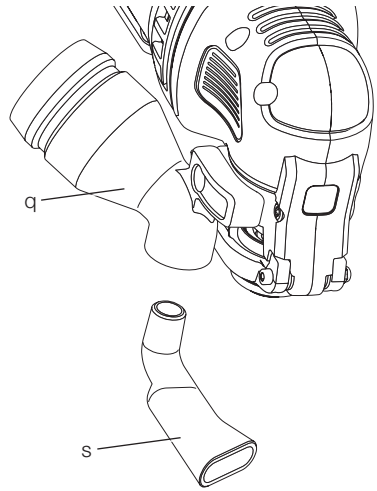


Figure 18



OSCILLATING MULTI-TOOL

DWE315

Congratulations!

You have chosen a DEWALT tool. Years of experience, thorough product development and innovation make DEWALT one of the most reliable partners for professional power tool users.

Technical Data

| | | DWE315 |
|-----------------------|-------------------|---------|
| Voltage | V_{AC} | 220-240 |
| Power input | W | 300 |
| Power output | W | 170 |
| Oscillating frequency | min^{-1} | 0–22000 |
| Oscillating angle | | 1.6° |
| Weight | kg | 1.5 |

Definitions: Safety Guidelines

The definitions below describe the level of severity for each signal word. Please read the manual and pay attention to these symbols.



DANGER: Indicates an imminently hazardous situation which, if not avoided, **will result in death or serious injury.**



WARNING: Indicates a potentially hazardous situation which, if not avoided, **could result in death or serious injury.**



CAUTION: Indicates a potentially hazardous situation which, if not avoided, **may result in minor or moderate injury.**

NOTICE: Indicates a practice **not related to personal injury** which, if not avoided, **may result in property damage.**



Denotes risk of electric shock.



Denotes risk of fire.



WARNING: To reduce the risk of injury, read the instruction manual.

General Power Tool Safety Warnings



WARNING! Read all safety warnings and all instructions. Failure to follow the warnings and instructions may result in electric shock, fire and/or serious injury.

SAVE ALL WARNINGS AND INSTRUCTIONS FOR FUTURE REFERENCE

The term “power tool” in the warnings refers to your mains-operated (corded) power tool or battery-operated (cordless) power tool.

1) WORK AREA SAFETY

- Keep work area clean and well lit.** Cluttered or dark areas invite accidents.
- Do not operate power tools in explosive atmospheres, such as in the presence of flammable liquids, gases or dust.** Power tools create sparks which may ignite the dust or fumes.
- Keep children and bystanders away while operating a power tool.** Distractions can cause you to lose control.

2) ELECTRICAL SAFETY

- Power tool plugs must match the outlet. Never modify the plug in any way. Do not use any adapter plugs with earthed (grounded) power tools.** Unmodified plugs and matching outlets will reduce risk of electric shock.
- Avoid body contact with earthed or grounded surfaces such as pipes, radiators, ranges and refrigerators.** There is an increased risk of electric shock if your body is earthed or grounded.
- Do not expose power tools to rain or wet conditions.** Water entering a power tool will increase the risk of electric shock.
- Do not abuse the cord. Never use the cord for carrying, pulling or unplugging the power tool. Keep cord away from heat, oil, sharp edges or moving parts.** Damaged or entangled cords increase the risk of electric shock.
- When operating a power tool outdoors, use an extension cord suitable for outdoor use.** Use of a cord suitable for outdoor use reduces the risk of electric shock.

- f) **If operating a power tool in a damp location is unavoidable, use a residual current device (RCD) protected supply.** Use of an RCD reduces the risk of electric shock.

3) PERSONAL SAFETY

- a) **Stay alert, watch what you are doing and use common sense when operating a power tool. Do not use a power tool while you are tired or under the influence of drugs, alcohol or medication.** A moment of inattention while operating power tools may result in serious personal injury.
- b) **Use personal protective equipment. Always wear eye protection.** Protective equipment such as dust mask, non-skid safety shoes, hard hat, or hearing protection used for appropriate conditions will reduce personal injuries.
- c) **Prevent unintentional starting. Ensure the switch is in the off position before connecting to power source and/or battery pack, picking up or carrying the tool.** Carrying power tools with your finger on the switch or energising power tools that have the switch on invites accidents.
- d) **Remove any adjusting key or wrench before turning the power tool on.** A wrench or a key left attached to a rotating part of the power tool may result in personal injury.
- e) **Do not overreach. Keep proper footing and balance at all times.** This enables better control of the power tool in unexpected situations.
- f) **Dress properly. Do not wear loose clothing or jewellery. Keep your hair, clothing and gloves away from moving parts.** Loose clothes, jewellery or long hair can be caught in moving parts.
- g) **If devices are provided for the connection of dust extraction and collection facilities, ensure these are connected and properly used.** Use of dust collection can reduce dust-related hazards.
- c) **Disconnect the plug from the power source and/or the battery pack from the power tool before making any adjustments, changing accessories, or storing power tools.** Such preventive safety measures reduce the risk of starting the power tool accidentally.
- d) **Store idle power tools out of the reach of children and do not allow persons unfamiliar with the power tool or these instructions to operate the power tool.** Power tools are dangerous in the hands of untrained users.
- e) **Maintain power tools. Check for misalignment or binding of moving parts, breakage of parts and any other condition that may affect the power tool's operation. If damaged, have the power tool repaired before use.** Many accidents are caused by poorly maintained power tools.
- f) **Keep cutting tools sharp and clean.** Properly maintained cutting tools with sharp cutting edges are less likely to bind and are easier to control.
- g) **Use the power tool, accessories and tool bits etc., in accordance with these instructions taking into account the working conditions and the work to be performed.** Use of the power tool for operations different from those intended could result in a hazardous situation.

5) SERVICE

- a) **Have your power tool serviced by a qualified repair person using only identical replacement parts.** This will ensure that the safety of the power tool is maintained.

Additional Safety Rules for Oscillating Multi-Tool



WARNING: Take special care when sanding some woods (e.g. beech, oak) and metal which may produce toxic dust. Wear a dust mask specifically designed for protection against toxic dust and fumes and ensure that persons within or entering the work area are also protected.



WARNING: Use this tool in a well-ventilated area when sanding ferrous metals. Do not operate the tool near flammable liquids, gases or dust. Sparks or hot particles from sanding or arcing motor brushes may ignite combustible materials.

4) POWER TOOL USE AND CARE

- a) **Do not force the power tool. Use the correct power tool for your application.** The correct power tool will do the job better and safer at the rate for which it was designed.
- b) **Do not use the power tool if the switch does not turn it on and off.** Any power tool that cannot be controlled with the switch is dangerous and must be repaired.

Sanding Paint



WARNING: Observe the applicable regulations for sanding paint. Pay special attention to the following:

- Whenever possible, use a vacuum extractor for dust collection.
- Take special care when sanding paint which is possibly lead based:
 - Do not let children or pregnant women enter the work area.
 - All persons entering the work area should wear a mask specially designed for protection against lead paint dust and fumes.
 - Do not eat, drink or smoke in the work area.
- Dispose of dust particles and any other removal debris safely.
- **Hold power tool by insulated gripping surfaces when performing an operation where the cutting tool may contact hidden wiring or its own cord.** Contact with a "live" wire will make exposed metal parts of the tool "live" and shock the operator.
- **Use clamps or another practical way to secure and support the workpiece to a stable platform.** Holding the work by hand or against your body leaves it unstable and may lead to loss of control.

Residual Risks

In spite of the application of the relevant safety regulations and the implementation of safety devices, certain residual risks cannot be avoided. These are:

- Impairment of hearing.
- Risk of personal injury due to flying particles.
- Risk of burns due to accessories becoming hot during operation.
- Risk of personal injury due to prolonged use.

Markings on Tool

The following pictograms are shown on the tool:



Read instruction manual before use.



Wear ear protection.



Wear eye protection.



Wear respiratory protection.

DATE CODE POSITION (FIG. 1)

The date code (t), which also includes the year of manufacture, is printed into the housing.

Example:

2013 XX XX

Year of Manufacture

Package Contents

The package contains:

- 1 Adaptor for all blades
- 1 Dust extraction adaptor (DWE315K)
- 1 Cutting guide (DWE315K)
- 1 31 mm x 43 mm Fastcut wood blade (DWE315K)
- 1 31 mm x 43 mm Wood with nails blade
- 1 100 mm Semicircle blade (DWE315K)
- 1 Sanding-pad
- 25 Assorted sandpaper pieces
- 1 9.5 mm x 43 mm Wood detail blade (DWE315K)
- 1 3 mm Carbide grout removal blade (100 mm half moon) (DWE315K)
- 1 Rigid scraper blade
- 1 Hex key
- 1 Kit box (DWE315K)
- 1 Instruction manual

- Check for damage to the tool, parts or accessories which may have occurred during transport.
- Take the time to thoroughly read and understand this manual prior to operation.

Description (fig. 1)



WARNING: Never modify the power tool or any part of it. Damage or personal injury could result.

- a. Variable speed trigger
- b. LED Worklight
- c. Accessory clamp lever
- d. Lock-on button
- e. Accessory side mount slots
- f. Cut guide block
- g. Cut guide arm

INTENDED USE

This oscillating multi-tool is designed for professional detail sanding, plunge cutting, flush cutting, removal of excess materials and surface preparation applications.

DO NOT use under wet conditions or in the presence of flammable liquids or gases.

This oscillating multi-tool is a professional power tool.

DO NOT let children come into contact with the tool. Supervision is required when inexperienced operators use this tool.

- This product is not intended for use by persons (including children) suffering from diminished physical, sensory or mental abilities; lack of experience, knowledge or skills unless they are supervised by a person responsible for their safety. Children should never be left alone with this product.

Electrical Safety

The electric motor has been designed for one voltage only. Always check that the power supply corresponds to the voltage on the rating plate.



Your DEWALT tool is double insulated in accordance with EN 60745; therefore no earth wire is required.



WARNING: 115 V units have to be operated via a fail-safe isolating transformer with an earth screen between the primary and secondary winding.

If the supply cord is damaged, it must be replaced by a specially prepared cord available through the DEWALT service organisation.

Using an Extension Cable

If an extension cable is required, use an approved 3-core extension cable suitable for the power input of this tool (see **Technical Data**). The minimum conductor size is 1.5 mm²; the maximum length is 30 m.

When using a cable reel, always unwind the cable completely.

ASSEMBLY AND ADJUSTMENTS



WARNING: To reduce the risk of injury, turn unit off and disconnect machine from power source before installing and removing accessories, before adjusting or changing set-ups or when making repairs. Be sure

the trigger switch is in the OFF position. An accidental start-up can cause injury.



WARNING: Risk of lacerations or burns. Do not touch workpiece or blade immediately after operating the tool. They can become very hot. Handle carefully. Always allow accessories and workpiece to cool before handling.

Installing/Removing Accessories (fig. 2–6)

TOOL-FREE ACCESSORY CLAMP (FIG. 2–4)

The DWE315 features a quick change accessory system. This allows for faster accessory changes without the need for wrenches or hex keys like other oscillating tool systems.

1. Grasp the tool and squeeze the accessory clamping lever (c) as shown in figure 2.
2. Clean any residual debris from the tool shaft and the accessory holder.
3. Slide the accessory between the shaft (h) and the accessory holder making sure the accessory engages all eight pins on the holder and is flush with the shaft. Ensure the accessory is oriented as shown in Figure 3.
4. Release the accessory clamp lever.

NOTE: Some accessories, such as scrapers and blades can be mounted at an angle if required as shown in figure 4.

INSTALLING/REMOVING SANDING SHEETS (FIG. 5)

A diamond shaped platen uses a hook and loop adhesion system to attach the sanding sheets. The platen allows you to use it on large flat surfaces and tight spots or corners.

1. Attach the sanding platen (i) as described under **Installing/Removing Accessories**.
2. Align the edges on the sanding sheet, with the edge of the sanding platen and press the sanding sheet (j) onto the platen.
3. Firmly press the base with the sanding sheet attached against a flat surface and briefly switch the tool on. This provides for good adhesion between the platen and the sanding sheet and also helps to prevent premature wear.
4. When the tip of the sanding sheet becomes worn, detach the sheet from the platen, rotate and reapply.

ATTACHING ACCESSORIES USING THE UNIVERSAL ADAPTER (FIG. 6)



CAUTION: To avoid injury, do not use any accessory for an application where the adaptor may fail to hold the accessory.



CAUTION: Read and follow all manufacturers' safety warnings for any accessories used with this tool.



CAUTION: To avoid injury, ensure adaptor and accessory are securely tightened.

Non-DEWALT accessories can be attached using the universal adaptor.

1. Place the washer (k) on the tool.
2. Place accessory on to washer.
3. Tighten and secure adaptor nut (l) using hex wrench (p).

Attaching the Cut Guide (fig. 7–12)

The depth/cut guide allows you to precisely cut material at a specified depth and more accurately track a marked cut line.

1. Attach the cut guide block (f) by inserting the accessory tabs (m) on the guide into the accessory side mount slots (e) on the main body of the tool.
2. Secure the block to the main body with the supplied screw (o) and washer (u). Tighten with the supplied hex wrench (p).

DEPTH GUIDE

This feature allows you to precisely cut material at a specified depth.

1. Insert the guide arm (g) as shown in figure 8 into the front slot on the guide block (f).
2. Adjust the length of the guide by pulling out or pushing inward to achieve the desired cut depth as shown in figure 9.
3. Secure the guide in place by turning the depth/cut adjustment knob (n) clockwise. To release the guide turn the depth/cut adjustment knob counterclockwise.

CUT GUIDE

This feature allows you to more accurately track a marked cut line.

1. Insert the guide arm (g) as shown in figure 10 into the slots on the left and right sides of the guide block (f).

2. Adjust the length of the guide by pulling out or pushing inward to achieve the desired length as shown in figure 11.
3. Secure the guide in place by turning the depth/cut adjustment knob (n) clockwise. To release the guide turn the depth/cut adjustment knob counterclockwise.

NOTE: The guide arm can also be placed in the guard assembly vertically in order to set the height off a cut. Refer to figure 12.

Attaching the Dust Extraction Adaptor (fig. 16)

The Dust Extraction Adaptor allows you to connect the tool to an external dust extractor, either using the AirLock™ system (DWV9000-XJ), or a standard 35 mm dust extractor fitment.

1. Attach the dust extraction adaptor (q) by inserting the tabs (m) in to the accessory side mount slots (e).
2. Insert screw (o) and washer (u) into the dust extraction adaptor (q) and tighten with the supplied hex key (p).

OPERATION

Instructions for Use (fig. 13, 14)



WARNING: Always observe the safety instructions and applicable regulations.



WARNING: To reduce the risk of serious personal injury, turn tool off and disconnect tool from power source before making any adjustments or removing/installing attachments or accessories.



WARNING: Ensure switch is fully OFF before plugging in the power cord.

1. Plug in power cord.
2. To turn the tool ON, hold it as shown in figure 13 and press the variable speed trigger (a).

NOTE: The further the trigger switch is depressed the faster the tool will operate. If in doubt about the proper speed for your operation, test the performance at low speed and gradually increase until a comfortable speed is found.

3. To turn the tool OFF, release the variable speed trigger (a).

Lock-on Button (fig. 14)

For more comfort in extended use applications, the lock-on button (d) can lock the trigger trigger (a) in the depressed position.

LED Worklight (fig. 15)

The LED worklight (b) will activate when the trigger is depressed.

Proper Hand Position (fig. 13)



WARNING: To reduce the risk of serious personal injury, **ALWAYS** use proper hand position as shown.



WARNING: To reduce the risk of serious personal injury, **ALWAYS** hold securely in anticipation of a sudden reaction.

Proper hand position requires the tool to be held as shown in Figure 13.

Using the Dust Extraction Adaptor with the Sanding Platen (fig. 17)

1. Attach the dust extraction adaptor (q). Refer to **Attaching the Dust Extraction Adaptor**.
2. Attach the sanding platen (i) as described under **Installing/Removing Accessories**.
3. Attach sanding sheet as described under **Installing/Removing Sanding Sheets**.

Using the Dust Extraction Adaptor with Plunge Cutting Accessory (fig. 18)

1. Attach the dust extraction adaptor. Refer to **Attaching the Dust Extraction Adaptor**.
2. Push dust extraction arm (s) into the lower aperture of the dust extraction adaptor (q).
3. Attach plunge cutting bit as described under **Installing/Removing Accessories**.
4. Adjust the dust extraction arm (s) for best results.

Helpful Hints

- Always ensure the workpiece is firmly held or clamped to prevent movement. Any movement of the material may affect the quality of the cutting or sanding finish.
- Do not start sanding without having the sandpaper attached to sanding platen.
- Use coarse grit paper to sand rough surfaces, medium grit for smooth surfaces and fine grit for

the finishing surfaces. If necessary, first make a test run on scrap material.

- Excessive force will reduce the working efficiency and cause motor overload. Replacing the accessory regularly will maintain optimum working efficiency.
- Do not allow the sandpaper to wear away, it will damage the sanding pad.
- If the tool overheats, especially when used at low speed, set the speed to maximum and run it with no load for 2–3 minutes to cool the motor. Avoid prolonged usage at very low speeds. Always keep the blade sharp.

MAINTENANCE

Your DEWALT power tool has been designed to operate over a long period of time with a minimum of maintenance. Continuous satisfactory operation depends upon proper tool care and regular cleaning.



WARNING: To reduce the risk of injury, turn unit off and disconnect machine from power source before installing and removing accessories, before adjusting or changing set-ups or when making repairs.

Be sure the trigger switch is in the OFF position. An accidental start-up can cause injury.



Lubrication

Your power tool requires no additional lubrication.



Cleaning



WARNING: Blow dirt and dust out of the main housing with dry air as often as dirt is seen collecting in and around the air vents. Wear approved eye protection and approved dust mask when performing this procedure.



WARNING: Never use solvents or other harsh chemicals for cleaning the non-metallic parts of the tool. These chemicals may weaken the materials used in these parts. Use a cloth dampened only with water and mild soap. Never let any liquid get inside the

tool; never immerse any part of the tool into a liquid.

Optional Accessories



WARNING: Since accessories, other than those offered by DEWALT, have not been tested with this product, use of such accessories with this tool could be hazardous. To reduce the risk of injury, only DEWALT recommended accessories should be used with this product.

Consult your dealer for further information on the appropriate accessories.

COMPATIBLE ACCESSORIES

- Oscillating sanding pad
- Oscillating wood w/ nails blade
- Wide titanium oscillating wood w/ nails blade
- Oscillating hardwood blade
- Oscillating fastcut wood blade
- Wide oscillating fastcut wood blade
- Oscillating wood detail blade
- Oscillating titanium metal blade
- Oscillating semicircle blade
- Oscillating titanium semicircle blade
- Oscillating flush cut blade
- Titanium oscillating flush cut blade
- Oscillating multi-material blade
- Oscillating rigid scraper blade
- Oscillating flexible scraper blade
- Oscillating carbide grout removal blade
- Oscillating fastcut carbide grout removal blade
- Oscillating carbide rasp

Protecting the Environment



Separate collection. This product must not be disposed of with normal household waste.

Should you find one day that your DEWALT product needs replacement, or if it is of no further use to you, do not dispose of it with household waste. Make this product available for separate collection.



Separate collection of used products and packaging allows materials to be recycled and used again. Re-use of recycled materials helps prevent environmental pollution and reduces the demand for raw materials.

Local regulations may provide for separate collection of electrical products from the household, at municipal waste sites or by the retailer when you purchase a new product.

DEWALT provides a facility for the collection and recycling of DEWALT products once they have reached the end of their working life. To take advantage of this service please return your product to any authorised repair agent who will collect them on our behalf.

You can check the location of your nearest authorised repair agent by contacting your local DEWALT office at the address indicated in this manual. Alternatively, a list of authorised DEWALT repair agents and full details of our after-sales service and contacts are available on the Internet at: www.2helpU.com.

TROUBLESHOOTING

| PROBLEM | POSSIBLE CAUSE | POSSIBLE SOLUTION |
|----------------------|-----------------------------|---|
| Unit will not start. | Cord not plugged in. | Plug tool into a working outlet. |
| | Circuit fuse is blown. | Replace circuit fuse. (If the product repeatedly causes the circuit fuse to blow, discontinue use immediately and have it serviced by an authorised DEWALT repair agent.) |
| | Circuit breaker is tripped. | Reset circuit breaker. (If the product repeatedly causes the circuit breaker to trip, discontinue use immediately and have it serviced by an authorised DEWALT repair agent.) |
| | Cord or switch is damaged. | Have cord or switch replaced by an authorised DEWALT repair agent. |

万能用途工具

DWE315

恭喜！

感谢您选购得伟工具。凭借多年的产品开发和创新能力，得伟已经成为专业电动工具用户最可靠的合作伙伴之一。

技术参数

| | DWE315 | |
|------|-------------------|---------|
| 电压 | V_{AC} | 220 |
| 输入功率 | 瓦 | 300 |
| 功率输出 | 瓦 | 170 |
| 频率 | min^{-1} | 0–22000 |
| 角度 | | 1.6° |
| 重量 | 千克 | 1.5 |

定义：安全指引

下列定义描述了各警示词的严重程度。请仔细阅读本手册，并注意这些警示符号。



危险：表示存在紧急危险情况，如果不加以避免，将导致死亡或严重伤害。



警告：表示存在潜在的危险情况，如果不加以避免，可能导致死亡或严重伤害。



警示：表示存在潜在危险情况，如果不加以避免，可能导致轻度或中度伤害。

注意：表示存在不涉及人身伤害的情况，如果不加以避免，可能导致财产损失。



表示存在触电危险。



表示存在火灾风险。



警告：为降低伤害风险，请阅读使用手册。

电动工具通用安全警告



警告！阅读所有警告和所有说明。不遵照以下警告和说明会导致电击、着火和/或严重伤害。

保存所有警告和说明书以备查阅。

在所有下列的警告中术语“电动工具”指市电驱动（有线）电动工具或电池驱动（无线）电动工具。

a) 工作场地的安全

- 1) 保持工作场地清洁和明亮。混乱和黑暗的场所会引发事故。
- 2) 不要在易爆环境，如有易燃液体、气体或粉尘的环境下操作电动工具。电动工具产生的火花会点燃粉尘或气体。
- 3) 让儿童和旁观者离开后操作电动工具。注意力不集中会使你失去对工具的控制。

b) 电气安全

- 1) 电动工具插头必须与插座相配。绝不能以任何方式改装插头。需接地的电动工具不能使用任何转换插头。未经改装的插头和相配的插座将减少电击危险。
- 2) 避免人体接触接地表面，如管道、散热片和冰箱。如果你身体接地会增加电击危险。
- 3) 不得将电动工具暴露在雨中或潮湿环境中。水进入电动工具将增加电击危险。
- 4) 不得滥用电线。绝不能用电线搬运、拉动电动工具或拔出其插头。使电线远离热源、油、锐边或运动部件。受损或缠绕的软线会增加电击危险。
- 5) 当在户外使用电动工具时，使用适合户外使用的外接软线。适合户外使用的软线将减少电击危险。
- 6) 如果在潮湿环境下操作电动工具是不可避免的，应使用剩余电流动作保护器（RCD）。使用RCD可减少电击危险。

c) 人身安全

- 1) **保持警觉，当操作电动工具时关注所从事的操作并保持清醒。当你感到疲倦，或在有药物、酒精或治疗反应时，不要操作电动工具。**在操作电动工具时瞬间的疏忽会导致严重人身伤害。
- 2) **使用个人防护装置。始终佩戴护目镜。**安全装置，诸如适当条件下使用防尘面具、防滑安全鞋、安全帽、听力防护等装置能减少人身伤害。
- 3) **防止意外起动。确保开关在连接电源和/或电池盒、拿起或搬运工具时处于关断位置。**手指放在已接通电源的开关上或开关处于接通时插入插头可能会导致危险。
- 4) **在电动工具接通之前，拿掉所有调节钥匙或扳手。**遗留在电动工具旋转零件上的扳手或钥匙会导致人身伤害。
- 5) **手不要伸展得太长。时刻注意立足点和身体平衡。**这样在意外情况下能很好地控制电动工具。
- 6) **着装适当。不要穿宽松衣服或佩戴饰品。让你的衣服、手套和头发远离运动部件。**宽松衣服、佩饰或长发可能会卷入运动部件中。
- 7) **如果提供了与排屑、集尘设备连接用的装置，要确保他们连接完好且使用得当。**使用这些装置可减少尘屑引起的危险。

d) 电动工具使用和注意事项

- 1) **不要滥用电动工具，根据用途使用适当的电动工具。**选用适当设计的电动工具会使你工作更有效、更安全。
- 2) **如果开关不能接通或关断工具电源，则不能使用该电动工具。**不能用开关来控制的电动工具是危险的且必须进行修理。
- 3) **在进行任何调节、更换附件或贮存电动工具之前，必须从电源上拔掉插头和/或使电池盒与工具脱开。**这种防护性措施将减少工具意外起动的危险。

- 4) **将闲置不用的电动工具贮存在儿童所及范围之外，并且不要让不熟悉电动工具或对这些说明不了解的人操作电动工具。**电动工具在未经培训的用户手中是危险的。
- 5) **保养电动工具。检查运动件是否调整到位或卡住，检查零件破损情况和影响电动工具运行的其他状况。**如有损坏，电动工具应在使用前修理好。许多事故由维护不良的电动工具引发。
- 6) **保持切削刀具锋利和清洁。**保养良好的有锋利切削刃的刀具不易卡住而且容易控制。
- 7) **按照使用说明书，考虑作业条件和进行的作业来使用电动工具、附件和工具的刀头等。**将电动工具用于那些与其用途不符的操作可能会导致危险。

e) 检修

- a) **将你的电动工具送交专业维修人员，使用同样的备件进行修理。**这样将确保所维修的电动工具的安全性。

万能用途工具的附加安全规定



警告：打磨某些可能会产生有毒粉尘的木材（例如山毛榉、橡木等）和金属时，应特别小心。应佩戴专用于防护粉尘和烟雾的防尘面具，并确保工作场所内或进入工作场所的人员也受到保护。



警告：打磨黑色金属要在通风良好的场所进行。请勿在易燃液体、气体或灰尘附近使用本工具。打磨或马达电刷的电弧产生的火花或高热粒子可能会引燃易燃材料。

打磨油漆



警告：请遵守适用的打磨油漆的规定。

请特别注意下列事项：

- 尽可能使用真空吸尘器来收集粉尘。
- 打磨可能含有铅的油漆时，请特别注意：
 - 禁止让儿童或孕妇进入工作场所。
 - 任何进入工作场所的人员都须佩戴专用于防护含铅油漆灰尘和烟雾的面具。
 - 禁止在工作场所内饮食或抽烟。
- 以安全的方式处理灰尘颗粒和任何其他碎屑。
- **执行操作时，如果切割工具可能会接触隐藏的电线或工具自身的电源线，请通过绝缘手柄表面握住电动工具。**如果接触到“带电”导线，电动工具金属部件表面就会带电并使操作人员触电。
- **请使用夹具或采取其它可行的方法把工件可靠地固定在稳定的平台上。**手持或用身体顶住工件都是不稳定的，可能会造成失控。

剩余风险

尽管遵守了相关的安全法规并采用了安全装备，但某些剩余风险仍然是无法避免的。这些风险包括：

- 听力损伤。
- 飞溅颗粒造成的人身伤害风险。
- 操作过程中附件加热而产生的烧伤危险。
- 长时间使用引起的人身伤害。

工具上的标记

工具上印有下列标志：



使用前请阅读使用手册。



请佩戴听力保护器。



请佩戴护目装备。



请佩戴呼吸防护装置。

日期码位置 (图 1)

包含制造年份的日期码 (t) 印在工具外壳上。

例如：

2013 XX XX

制造年份

包装内容

本产品包装内含有：

- 1 适用于所有锯片的适配器
 - 1 集尘适配器 (DWE315K)
 - 1 切割导向 (DWE315K)
 - 1 31 mm x 43 mm 高速切木锯片 (DWE315K)
 - 1 31 mm x 43 mm 含钉木材锯片
 - 1 100 mm 半圆锯片 (DWE315K)
 - 1 打磨底盘
- 25 片各种砂纸
- 1 9.5 mm x 43 mm 木材细锯片 (DWE315K)
 - 1 3 mm 硬质合金除浆锯片 (100 mm 半月型) (DWE315K)
 - 1 刚性刮刀
 - 1 六角扳手
 - 1 工具箱 (DWE315K)
 - 1 使用手册
- 检查工具、部件或附件是否在运输过程中损坏。
 - 操作前，请抽空仔细阅读并掌握本手册。

描述 (图 1)



警告：切勿改装电动工具或其任何部件，否则可能会导致损坏或人身伤害。

- a. 变速开关
- b. LED 工作灯
- c. 附件夹拨杆

- d. 锁定按钮
- e. 附件侧安装槽
- f. 切割导向块
- g. 切割导向臂

设计用途

本万能用途工具设计用于专业细打磨、切入式切割、齐平切割、多余材料清除和表面处理应用。

禁止在潮湿环境中或在易燃液体或气体存在的环境中使用本工具。

本万能用途工具是专业电动工具。

请勿让儿童接触本工具。缺乏经验的操作员需要在监督下使用本工具。

- 本产品不适合体力、感官或智力不足以及缺乏经验、知识或技能的人员（包括儿童）使用，除非一旁有能为他们的安全负责的监督人员。请勿在无人监管的情况下让儿童接触本产品。

电器安全

电机只有一种工作电压。请务必检查电源电压是否与铭牌上的电压一致。



您的得伟工具依据 EN60745 进行双重绝缘，因此无须接地线。



警告：115V 装置必须通过故障保险隔离变压器操作，在初级绕组和次级绕组之间使用接地屏蔽。

若电源线损坏，必须交由得伟服务部门采用专门制备的电线进行更换。

使用延长电缆

如需使用延长电缆，请使用与本工具的输入电源（见**技术参数**）相符且经检验的 3 芯延长电缆。导体的最小尺寸为 1.5 平方毫米，最大长度为 30 米。

使用电缆卷筒时，请务必拉出所有电缆。

组装和调整



警告：为降低人身伤害的风险，在拆、装附件或调整、修理工具之前，请关闭工具并拔下工具插头。请确保触发开关处于关闭 (OFF) 位置。意外启动容易导致严重的人身伤害。



警告：撕裂或灼伤风险。使用完工具后，请不要立即触碰工件或锯片。它们可能会变得很烫。请小心处理。始终让附件和工件冷却后方可处理。

安装/移除附件（图 2-6）

免工具附件夹拔杆（图 2-4）

DWE315 采用快速更换附件系统。因此可以像其他振动工具系统一样，在无需扳手或六角扳手的情况下快速更换附件。

1. 如图 2 所示，抓住工具并按压附件夹拔杆 (c)。
2. 清除工具轴和附件固定器上所有的碎屑。
3. 将附件在轴 (h) 与附件固定器之间滑动，确保附件将全部八个销固定于固定器上并与轴齐平。确保附件所面向的位置如 3 所示。
4. 释放附件夹拔杆。

注：如有需要，可以按图 4 所示安装刮刀和锯片等附件。

安装/移除砂纸（图 5）

菱形打磨板使用钩环式粘结系统安装砂纸。打磨板让您可以将其在较大平面和狭窄位置或拐角。

1. 按照**安装/移除附件**中的说明安装打磨板 (i)。
2. 将砂纸边缘与打磨板边缘对齐，然后将砂纸 (j) 按压在打磨板上。
3. 紧压底部，将砂纸安装于平面表面上，并短暂启动工具。因此，打磨板和砂纸间可良好结合，同时也有助于防止过早磨损。
4. 当砂纸顶部出现磨损时，请将砂纸从打磨板取下，旋转一个角并重新安装使用。

使用万能适配器连接附件 (图 6)



警告：为避免伤害，请勿将任何附件用于适配器无法固定附件的应用中。



警告：请阅读并遵守本工具所用的任何附件的所有制造商的安全警告。



警告：为避免伤害，确保牢牢锁定适配器和附件。

非得伟附件可通过使用万能适配器来进行安装。

1. 将垫圈 (k) 放在工具上。
2. 将附件放在垫圈上。
3. 使用六角扳手 (p) 锁紧适配器螺母 (l)。

安装切割导向 (图 7-12)

深度/切割导向让您依照指定深度及精确标记的切割线来切割材料。

1. 将导向上的附件凸耳 (m) 插入工具主机上的附件侧安装槽 (e)，以安装切割导向块 (f)。
2. 使用随附的螺钉 (o) 和垫圈 (u) 将导向块固定到主机上。使用随附的六角扳手 (p) 锁紧。

深度导向

此功能让您依照指定深度精确切割材料。

1. 如图 8 所示，将导向臂 (g) 插入导向块 (f) 上的前槽。
2. 如图 9 所示，通过拉出或推进调整导向的长度，以达到所需的切割深度。
3. 顺时针旋转深度/切割调整旋钮 (n)，将导向固定到位。如需松开导向，则逆时针旋转深度/切割调整旋钮。

切割导向

此功能让您以更精确地追踪标记的切割线。

1. 如图 10 所示，将导向臂 (g) 插入导向块 (f) 左右两侧的槽中。
2. 如图 11 所示，拉出或推进调整导向的长度，以达到所需的长度。

3. 顺时针旋转深度/切割调整旋钮 (n)，将导向固定到位。如需松开导向，则逆时针旋转深度/切割调整旋钮。

注：导向臂还可以垂直置于导向块中，以便设定切割高度。请参见图 12。

安装集尘适配器 (图 16)

集尘适配器让您可以通过 AirLock™ 系统 (DWW9000-XJ) 或标准的 35 mm 吸尘器设备将工具连接到外部吸尘器。

1. 将凸耳 (m) 插入附件侧安装槽 (e)，以安装集尘适配器 (q)。
2. 将螺钉 (o) 和垫圈 (u) 插入集尘适配器 (q)，并使用随附的六角扳手 (p) 锁紧。

操作

使用说明 (图 13、14)



警告：请务必遵守安全指示和适用法规。



警告：为降低严重的人身伤害风险，在进行任何调整或移除/安装配件或附件之前，请关闭工具电源和断开工具电源连接。



警告：确保开关在插入电源线之前处于关闭 (OFF) 位置。

1. 插入电源线。
2. 如要启动工具，如图 13 所示紧握工具，并按下变速触发开关 (a)。

注：按压触发开关越紧，工具运作越快。若对操作速度有疑问，则以低速测试工具性能，并逐渐增加直到达到舒适的速度。

3. 若要关闭工具电源，请松开变速触发开关 (a)。

锁定按钮 (图 14)

为了在长时间使用时使达到更加舒适的操作，锁定按钮 (d) 可将触发开关 (a) 锁定于按下位置。

LED 工作灯（图 15）

LED 工作灯 (b) 将在按压触发器时启动。

正确的手持方式（图 13）



警告：为降低严重的人身伤害风险，请始终使用正确的手持方式，如图所示。



警告：为降低严重的人身伤害风险，请务必紧握工具以防止意外事件。

正确的手持方式如图 13 所示。

将集尘适配器和打磨板结合使用（图 17）

1. 安装集尘适配器 (q)。请参阅 **安装集尘适配器** 部分。
2. 按照 **安装/移除附件** 中的说明安装打磨板 (i)。
3. 按照 **安装/移除砂纸** 中的说明安装砂纸。

将集尘适配器与切入式切割附件结合使用（图 18）

1. 安装集尘适配器。请参阅 **安装集尘适配器** 部分。
2. 将集尘臂 (s) 推入集尘适配器 (q) 的下方孔眼。
3. 按照 **安装/移除附件** 中的说明安装切入式切割锯片。
4. 调整集尘臂 (s) 以达到最佳效果。

实用提示

- 务必确保工件已被牢牢固定或夹住，以防止其移动。材料的任何移动都有可能影响切割或打磨成品的质量。
- 请勿在砂纸未安装到打磨板的情况下开始打磨。
- 使用粗砂纸对粗糙表面打磨，粗细适中的砂纸对平滑表面打磨，或细砂纸对加工表面打磨。必要时，先对废料进行试验。

- 过度用力将降低工作效率并造成马达过载。定期更换附件将能保持最佳的工作效率。
- 请勿让砂纸磨光，这会损坏打磨底盘。
- 如果工具过热，尤其是在低速下使用时，请将速度设为最大值，并在空载下运行 2-3 分钟以冷却马达。避免长时间以很低的速度运行。务必让锯片保持锋利。

维护

得伟电动工具设计精良，可以长时间使用，而且只需极少的维护。要连续获得令人满意的工作效果，则需要进行合适的工具维护和定期清洁。



警告：为降低人身伤害的风险，在拆、装附件或调整、修理工具之前，请关闭工具并拔下工具插头。请确保触发开关处于关闭 (OFF) 位置。意外启动容易导致严重的人身伤害。



润滑

本电动工具无需另行润滑。



清洁



警告：一旦通风口和周围积聚了可见的粉尘，请立即用干燥的空气吹走主机外壳内的粉尘和灰尘。执行此过程时，需戴上经认可的护目装备和防尘面具。



警告：切勿使用溶剂或其他刺激性化学制品来清洁工具的非金属部件。这些化学物质可能会削弱这些部位使用的材料。请用布蘸中性肥皂水擦拭。切勿让任何液体渗入工具，切勿让工具的任何部分浸在液体中。

可选附件



警告：除了得伟提供的附件之外，其他附件都未经本产品兼容性测试，若将此类附件与本工具一起使用将存在安全隐患。为降低伤害风险，本产品仅可使用得伟推荐的附件。

请向您的经销商咨询更多关于合适附件的信息。

兼容的附件

振动打磨底盘
振动含钉木材锯片
宽钛振动含钉木材锯片
振动硬木锯片
振动高速切木锯片
宽振动高速切木锯片
振动木材细锯片
振动钛金属锯片
振动半圆锯片
振动钛半圆锯片
振动齐平切割锯片
钛振动齐平切割锯片
振动多材料锯片
振动刚性刮刀
振动柔性刮刀
振动硬质合金除浆锯片
振动快切硬质合金除浆锯片
振动硬质合金锉刀

保护环境



分类回收。本产品不得与普通家庭垃圾一起处理。

如果您发现您的得伟产品需要更换或您已经不再需要使用这些产品，请不要将它们与家庭垃圾一起处理。请将它们单独分类回收。



分类回收使用过的产品和包装能够让材料得以再循环和再利用。再生材料的再利用有助于防止环境污染，并降低对原材料的需求。

当地法规可能要求由市政废物处理点或向您出售新产品的零售商提供从家庭中分类回收电气产品的服务。

得伟提供设施收集和回收使用寿命到期的得伟产品。若要享受这项服务，请将产品送回任一授权维修代理，他们将代表我们回收您的产品。

您可通过联系本手册中所记载的当地得伟办事处查询您最近的授权维修代理的位置。您也可以通过网站获取得伟授权维修代理名单以及我们售后服务与联络人的完整详情，网址为：www.2helpU.com。

故障排除

| 问题 | 可能原因 | 可能的解决方案 |
|--------|-----------|--|
| 设备不启动。 | 电源线未插入插座。 | 将工具插入工作插座。 |
| | 电路保险丝被烧断。 | 更换电路保险丝。（如果本产品反复造成其电路保险丝烧断，请立即中止使用，并将本产品送交到授权的得伟维修代理进行维修。） |
| | 断路器跳闸。 | 重设断路器。（如果本产品反复造成其断路器跳闸，请立即中止使用，并将本产品送交到授权的得伟维修代理进行维修。） |
| | 电源线或开关损坏。 | 请将本产品递交得伟授权维修代理更换电源线或开关。 |

制造商：百得德国公司

地址：Black & Decker Str. 40 65510 Idstein, 德国

产地：江苏苏州

磨切機

DWE315

恭喜閣下！

感謝您選購 DeWALT 工具。憑藉多年的產品開發和創新經驗，DeWALT 已成為專業電動工具使用者最信賴的夥伴。

技術資料

| | DWE315 | |
|------|------------------|---------|
| 電壓 | V_{AC} | 110 |
| 功率輸入 | W | 300 |
| 功率輸出 | W | 170 |
| 震動頻率 | 分鐘 ⁻¹ | 0–22000 |
| 震動角度 | | 1.6° |
| 重量 | 公斤 | 1.5 |

定義：安全指南

以下定義描述了每一個詞彙的嚴重程度。請閱讀本手冊並注意這些符號。



危險：表示緊急危險情況，若未能避免，將導致**死亡或嚴重傷害**。



警告：表示潛在危險情況，若未能避免，可能導致**死亡或嚴重傷害**。



小心：表示潛在危險情況，若未能避免，可能導致**輕微或中度傷害**。

注意：表示一種**非人身傷害**的行為，若未能避免，可能導致**財產損失**。



表示**觸電危險**。



表示**火災危險**。



警告：為了降低受傷的風險，必須仔細閱讀使用手冊。

電動工具一般安全警告



警告！請閱讀所有安全警告及指示。不遵循這些警告和指示可能會導致觸電、火災及/或嚴重傷害。

請妥善保存所有的警告和使用手冊 以備將來查閱

警告中的名詞「電動工具」是指電源驅動（插電）電動工具，或者電池驅動（充電）電動工具。

1) 工作場地安全

- 保持工作場地清潔和明亮。**混亂或黑暗的場地會引發事故。
- 不要在易爆環境，如有易燃液體、氣體或塵埃的環境中操作電動工具。**電動工具產生的火花可能會點燃粉塵或氣體。
- 請等待兒童和旁觀者離開之後才操作電動工具。**分心會導致您疏於控制。

2) 電力安全

- 電動工具插頭必須與插座相符。**請勿以任何方式改裝插頭。需接地的電動工具不能使用任何配接器插頭。未經改裝的插頭和相符的插座可以減少觸電危險。
- 避免人體接觸接地表面，如管道、散熱片、爐灶和冰箱。**若您的身體接地，會增加觸電危險。
- 不得將電動工具暴露在雨中或潮濕環境中。**水進入電動工具會增加觸電危險。
- 請勿濫用電線。**請勿使用電線來搬運、拉動電動工具或拔出插頭。讓電線遠離熱、油、銳邊和活動部件。受損或纏繞的電線會增加觸電危險。
- 若要在戶外使用電動工具，請使用適合戶外使用的延長電線。**使用適合戶外使用的電線可減少觸電危險。

- f) 若必須在潮濕場合使用電動工具，請使用漏電保護器 (RCD)。使用 RCD 可降低觸電危險。

3) 人身安全

- a) 保持警覺；在操作電動工具時，請留意所執行的操作並按照一般的常識執行。切勿在疲倦，或受到藥物、酒精或治療的影響下操作電動工具。操作電動工具期間注意力分散會導致嚴重人身傷害。
- b) 使用個人防護裝置。始終佩戴護目裝備。防護裝置，例如在適當條件下使用的防塵面具、防滑安全鞋、安全帽或聽力保護等裝置可減少人身傷害。
- c) 避免意外啟動。連接電源及/或電池組、舉抬或搬運電動工具之前，請確定開關處於關閉位置。搬運電動工具時若將手指放在開關上，或電動工具接通電源時開關處於開啟位置都會引發危險。
- d) 啟動電動工具之前，請卸下所有的調整鑰匙或扳手。遺留在電動工具旋轉部件上的扳手或鑰匙會導致人身傷害。
- e) 不要過度伸張雙手。時刻注意腳下和身體的平衡。如此即可在發生意外的情況下更好地控制電動工具。
- f) 適當穿著。不要穿寬鬆衣服或佩戴飾品。讓您的頭髮、衣服和手套遠離活動部件。寬鬆衣服、佩飾或長髮可能會捲入活動部件。
- g) 若配備用於連接排屑裝置、集塵設備的裝置，請確定正確連接和使用這些裝置。使用集塵設備可減少與粉塵有關的危險。

4) 電動工具的使用與維護

- a) 不要超負荷使用電動工具。根據您的用途使用適當的電動工具。使用適當的電動工具在其設計可負荷的應用內，會讓您更有效、更安全地執行工作。
- b) 若開關不能開啟或關閉電源，請勿使用該電動工具。不能用開關來控制的電動工具將存在危險，因此必須進行修理。

- c) 在執行任何調整、更換配件或儲存電動工具之前，請從電源上拔掉插頭及/或卸下電池組。這類防護性安全措施可降低電動工具意外啟動的風險。
- d) 將閒置的電動工具儲存在兒童無法接觸的地方，並且不要讓不熟悉電動工具或對這些使用指示不瞭解的人員操作電動工具。電動工具在未經培訓的使用者手中會發生危險。
- e) 維護電動工具。檢查活動部件是否對準或卡住、破損情況以及是否存在影響電動工具運行的其他情況。若有損毀，必須在使用之前修理電動工具。許多事故都是由於電動工具欠缺維護所導致。
- f) 保持刀具鋒利和清潔。妥善維護、切削鋒利的刀具不會輕易卡住並可更輕鬆控制。
- g) 使用電動工具、配件和工具刀頭等時，請遵循這些指示使用，且指示須包含工作環境和所要執行工作的注意事項。不按照設計目的使用電動工具會導致危險。

5) 檢修

- a) 本電動工具必須由合格的維修人員並只採用相同的替換零件來執行檢修。這樣將確保電動工具的安全。

磨切機的其他安全規定



警告：砂光某些木材（例如，山毛櫸、櫟木）和會產生有毒塵埃的金屬時要特別小心。佩戴專用於防範有毒塵埃及氣體的防塵面具，並確保工作區內或進入工作區內的人亦取得保護。



警告：砂光含鐵金屬時，請在通風性好的地方使用本工具。請勿在易燃液體、氣體或塵埃附近操作工具。砂光或電弧電動機電刷所產生的火花或熱顆粒可能會引燃易燃材料。

砂光油漆



警告：請遵守砂光油漆的適用規定。

特別注意下列內容：

- 任何時候只要有可能，請使用真空吸塵器來收集塵埃。
- 當砂光油漆可能含鉛時需特別小心：
 - 請勿讓兒童或孕婦進入工作區。
 - 進入工作區的所有人都應佩戴對含鉛油漆塵埃及氣體提供防護的專用面罩。
 - 請勿在工作區飲食或吸菸。
- 請以安全方式處置灰塵顆粒和任何其他碎片。
- **若在執行操作時切割工具可能會接觸隱藏的電線或它本身的電線，則只能從絕緣手柄表面握住電動工具。**若接觸到「帶電」導線，電動工具金屬部件表面也會「帶電」，從而導致操作人員觸電。
- **使用夾具或採取其他可行的方法，將工件固定、支撐到穩定的平台上。**手持工件或用身體抵住工件，會使工件不穩定並可能導致失控。

剩餘風險

即使應用有關的安全規定並採用安全設備，仍然還有一些無法避免的剩餘風險。包括：

- 聽力受損。
- 飛散的顆粒引起的人身傷害風險。
- 配件在操作時變熱引起的燒傷危險。
- 長時間使用引起的人身傷害風險。

工具上的標誌

工具上可能會附帶下列圖示：



使用前請閱讀使用手冊。



請佩戴聽力保護器。



請佩戴護目裝備。



請佩戴呼吸保護裝置。

日期代碼位置 (圖 1)

日期代碼 (t) 也包括製造年份，已經印刷在工具外殼上。

範例：

2013 XX XX
製造年份

套裝內的物件

本套裝包括：

- 1 適合所有刀片的配接器
- 1 集塵設備配接器 (DWE315K)
- 1 切割導件 (DWE315K)
- 1 31 mm x 43 mm 快切木材鋸片 (DWE315K)
- 1 31 mm x 43 mm 含釘木材鋸片
- 1 100 mm 半圓鋸片 (DWE315K)
- 1 砂光碟
- 25 分類砂紙片
 - 1 9.5 mm x 43 mm 木材細鋸片 (DWE315K)
 - 1 3 mm 硬合金除漿鋸片 (100 mm 半月形) (DWE315K)
- 1 剛性刮刀
- 1 六角扳手
- 1 工具箱 (DWE315K)
- 1 使用手冊
- 檢查工具、部件或配件是否在運輸過程中損壞。
- 操作前，請抽空徹底地閱讀和掌握本說明書的內容。

說明 (圖 1)



警告：切勿改動本電動工具或其任何部件，否則可能導致損壞或人身傷害。

- a. 變速觸發開關
- b. LED 工作燈

- c. 配件夾具控制桿
- d. 鎖定按鈕
- e. 配件側安裝槽
- f. 切割導塊
- g. 切割導臂

設計用途

本磨切機設計用於專業細砂光、切入式切割、齊平鋸切、清除多餘材料和表面處理應用。

請勿在潮濕環境中或在有易燃液體或氣體的環境中使用本工具。

本磨切機是專業電動工具。

不要讓兒童接觸本工具。缺乏經驗的操作人員需要在監督下使用本工具。

- 體力、感覺或智力不足，以及缺乏經驗、知識或技能的人員（包括兒童）不適合使用本產品，除非一旁有能為他們的安全負責的監督人員。切勿讓兒童單獨接觸本工具。

電氣安全

電動機只適用一種電壓。請務必檢查電源電壓是否與銘牌一致。



您的 DeWALT 工具根據 EN 60745 進行了雙重絕緣，因此不需要使用接地線。



警告：115 伏特裝置必須透過失靈安全隔離變壓器運作，在初級繞組和次級繞組之間使用接地屏蔽。

若電源線損壞，必須使用 DeWALT 維修機構提供的專用電線進行更換。

使用延長電纜

若需要使用延長電纜，使用適合本工具電源輸入使用的認證 3 芯延長電纜（參閱**技術資料**）。導電體的最小尺寸為 1.5 mm²；最大長度為 30 m。

使用電纜捲筒時，每次必須把電纜完全展開。

裝配與調整



警告：若要降低傷害危險，請在安裝和移除配件前、調整或變更設定前或進行修理時關閉工具並斷開電源。請確保觸發開關處於關閉 (OFF) 位置。意外啟動工具可能會造成傷害。



警告：割傷或灼傷風險。操作工具後，不要立即觸碰工件或鋸片。工件或鋸片的溫度可能會非常高。請小心處理。始終讓配件和工件冷卻後再處理。

安裝/移除配件（圖 2-6）

免工具配件夾（圖 2-4）

DWE315 採用快速更換配件系統。因此可以像其他震動式工具系統一樣不需扳手或六角扳手就可以快速更換配件。

1. 抓住工具並擠壓配件夾具控制桿 (c)，如圖 2 所示。
2. 清除工具軸和配件固定器上的殘餘碎片。
3. 滑動軸 (h) 和配件固定器之間的配件，確保配件將全部八個銷固定於固定器上並與軸齊平。確保配件如圖 3 所示朝向。
4. 鬆開配件夾具控制桿。

注：某些配件例如刮刀和鋸片可以如圖 4 所示之需要進行安裝。

安裝/移除砂光板（圖 5）

菱形壓板使用鉤環粘附系統安裝砂光板。壓板可讓您將其用於較大平面和狹窄位置或角落。

1. 如**安裝/移除配件**下所述安裝砂壓板 (i)。
2. 將砂光板邊緣與砂壓板邊緣對齊，然後將砂光板 (j) 按壓在平板上。
3. 緊壓底部，將砂光板安裝於平面上，並短暫開啟工具。這可實現壓板和砂光板之間良好粘合，還有助於防止過早磨損。
4. 當砂光板頂部出現磨損時，請將砂光板從壓板上取下，旋轉並重新套用。

使用萬用配接器 (圖 6) 連接配件



小心：為避免傷害，請勿將配件用於配接器無法固定配件之應用中。



小心：閱讀並遵守與本工具結合使用的任何配件的所有製造商安全警告。



小心：為避免傷害，確保配接器與配件被牢牢緊固。

非 DeWALT 配件可使用萬用配接器連接。

1. 將墊圈 (k) 置於工具上。
2. 將配件放在墊圈上。
3. 使用六角扳手 (p) 旋緊配接器螺母 (l)。

連接切割導件 (圖 7-12)

深度/切割導件可用於依指定深度精確切割材料和更準追蹤標記的切割線。

1. 將導件上的配件凸耳 (m) 插入工具主體上的配件側安裝槽 (e) 中，以安裝切割導塊 (f)。
2. 使用隨附的螺釘 (o) 和墊圈 (u) 將導塊固定到主體上。使用隨附的六角扳手 (p) 擰緊。

深度導件

此功能可用於依指定深度精確切割材料。

1. 如圖 8 所示，將導臂 (g) 插入導塊 (f) 上的前槽中。
2. 如圖 9 所示，透過拉出或推入調整導件長度，以達到所需的切割深度。
3. 順時針旋轉深度/切割調整旋鈕 (n) 將導件固定到位。如需鬆開導件，則逆時針旋轉深度/切割調整旋鈕。

切割導件

此功能可用於更精確追蹤標記的切割線。

1. 如圖 10 所示，將導臂 (g) 插入導塊 (f) 左右側的槽中。
2. 如圖 11 所示，透過拉出或推入調整導件長度，以達到所需的長度。

3. 順時針旋轉深度/切割調整旋鈕 (n) 將導件固定到位。如需鬆開導件，則逆時針旋轉深度/切割調整旋鈕。

注：導臂還可以垂直置於防護罩組件中，以便設定切割高度。請參見圖 12。

安裝集塵設備配接器 (圖 16)

集塵設備配接器可用於透過 AirLock™ 系統 (DWW9000-XJ) 或標準的 35 mm 吸塵器配件將工具連接到外部吸塵器。

1. 將凸耳 (m) 插入配件側安裝槽 (e) 中，以安裝集塵設備配接器 (q)。
2. 將螺釘 (o) 和墊圈 (u) 插入集塵設備配接器 (q) 中並使用隨附的六角扳手 (p) 擰緊。

操作

使用指示 (圖 13、14)



警告：務必遵守安全指示和適用的規則。



警告：為了降低造成嚴重人身傷害的風險，在進行任何調整或卸下或安裝附件或配件之前，切記關閉工具並斷開工具電源。



警告：確保開關完全關閉後再將電源線插入插座。

1. 將電源線插入插座。
2. 若要開啟工具，如圖 13 所示按住並按下變速觸發器 (a)。

注：觸發開關按下得越多，工具運轉越快。若對操作速度有疑問，則以低速測試效能，並逐漸增加直到達到舒適的速度。

3. 若要把工具關掉，請鬆開變速觸發器 (a)。

鎖定按鈕 (圖 14)

為了在長期使用時令操作更舒適，鎖定按鈕 (d) 可將觸發器 (a) 鎖定於按下位置。

LED 工作燈 (圖 15)

LED 工作燈 (b) 將在按下觸發器時啟用。

正確的雙手放置位置 (圖 13)



警告：為降低遭受嚴重人身傷害的風險，務必如圖示那樣正確放置雙手。



警告：為降低遭受嚴重人身傷害的風險，預期有突然反應時務必握緊。

正確的雙手放置位置需要如圖 13 所示那樣握持工具。

將集塵設備配接器與砂壓板

(圖 17) 結合使用

1. 安裝集塵設備配接器 (q)。請參閱**安裝集塵設備配接器**。
2. 如**安裝/移除配件**下所述安裝砂壓板 (i)。
3. 依**安裝/移除砂光板**下所述安裝砂光板。

將集塵設備配接器與切入式切削配件 (圖 18) 結合使用

1. 安裝集塵設備配接器。請參閱**安裝集塵設備配接器**。
2. 將集塵臂推入集塵設備配接器 (q) 的下方孔眼中。
3. 如**安裝/移除配件**下所述安裝切入式切割鑽頭。
4. 調節集塵臂 (s) 以達到最佳效果。

有用提示

- 務必確保緊緊固定或夾住工件以防止運動。材料的任何運動都可能影響切割或砂光飾面。
- 請勿在未將砂紙連接到砂壓板的情況下就開始砂光。
- 使用粗砂紙對粗糙表面砂光，使用粗細適中的砂紙對平滑表面砂光，使用細砂紙對光制面砂光。若必要，先對廢料試驗。
- 過度使用蠻力將降低工作效率和造成電動機過載。定期更換配件將保持最佳的工作效率。
- 不要讓砂紙出現磨損，這會損壞砂光碟。

- 如果工具過熱，尤其是在低速下使用時，請將速度設為最大值，並於空載下運行 2-3 分鐘以冷卻電動機。避免在非常低的速度下延長使用。務必讓鋸片保持鋒利。

維護

DEWALT 電動工具採用卓越的設計，能夠長時間使用，並且只需最少的維護。若要持續獲得滿意的操作效果，需進行正確的工具維護和定期的清潔。



警告：若要降低傷害危險，請在**安裝和移除配件前、調整或變更設定前或進行修理時關閉工具並斷開電源**。請確保觸發開關處於關閉 (OFF) 位置。意外啟動工具可能會造成傷害。



潤滑

本電動工具毋需額外潤滑。



清潔



警告：一旦通風口及其周圍積聚了可見的塵埃，請立即使用乾燥的壓縮空氣吹掉主機外殼內的塵埃和灰塵。執行此步驟時，請佩戴經認可的護目裝備和防護面罩。



警告：切勿使用溶劑或其他刺激性化學品來清潔工具的非金屬部件。這些化學品可能會削弱零件中使用的材料。只能使用抹布蘸中性肥皂水進行清潔。不要讓任何液體進入工具；不要讓工具的任何部分浸入液體中。

選購配件



警告：由於非 DEWALT 所提供的配件未在本產品上進行過使用測試，在本產品上使用這些配件可能會導致危險。為

降低傷害危險，在本產品上只應使用
DeWALT 所推薦的配件。

如需進一步瞭解適用配件的相關資訊，請洽詢當地代理商。

相容配件

震動砂光碟
震動含釘木材鋸片
寬鈦震動含釘木材鋸片
震動硬木鋸片
震動快切木鋸片
寬震動快切木鋸片
震動木細鋸片
震動鈦金屬鋸片
震動半圓鋸片
震動鈦半圓鋸片
震動平切鋸片
鈦震動平切鋸片
震動多材料鋸片
震動剛性刮刀
震動柔性刮刀
震動硬合金除漿鋸片
震動快切硬合金除漿鋸片
震動硬合金銼刀

保護環境



個別收集。本產品必須與一般家庭廢物
分開處置。



若您發現您的 DeWALT 產品需要更換，或對您已無
使用價值，請勿將其與家居廢物一起丟棄。務必將
本產品送往個別收集處。



個別收集用過的產品和包裝允許材料再
循環利用。重新使用循環利用的材料有
助於防止環境污染，並減少原始材料的
需求。

當地法規可能要求由市政廢物回收點，或由向您出
售新產品的經銷商來提供從家庭中個別收集電子產
品的服務。

DeWALT 在其產品使用壽命結束時提供 DeWALT 產
品收集和回收利用的便利。若要享受此項服務，請
將產品送回任一授權維修中心，由其代表我們進行
收集。

請根據本手冊上所提供地址與當地 DeWALT 辦事處
聯絡，查詢離您最近的授權維修中心所在位置。亦
可瀏覽網站查詢 DeWALT 授權維修中心清單和售
後服務及聯絡資料之詳細資訊，網址是：

www.2helpU.com。

進口商：永安實業股份有限公司

地址：新北市三重區中山路 286 號 1F

電話：02-29994633

疑難排解

| 問題 | 可能的原因 | 可能的解決方案 |
|---------|----------|--|
| 設備不會啟動。 | 電線未插入插座。 | 將工具插頭插入工作插座。 |
| | 電路保險絲熔斷。 | 更換電路保險絲。（如果本產品反復造成電路保險絲熔斷，請立即中止使用，並將其送往授權的 DEWALT 維修中心進行維修。） |
| | 斷路器跳閘。 | 重設斷路器。（如果本產品反復造成斷路器跳閘，請立即中止使用，並將其送往授權的 DEWALT 維修中心進行維修。） |
| | 電線或開關損壞。 | 將電線或開關交由授權的 DEWALT 維修中心進行更換。 |

진동형 멀티 툴

DWE315

축하합니다!

DeWALT 공구를 선택해 주셔서 감사합니다. DeWALT는 오랜 경험과 제품 개발 및 혁신을 통해 전문 전동 공구 사용자들이 인정하는 기업으로 자리잡아 왔습니다.

기술 데이터

| | | DWE315 |
|----------|------------------|---------|
| 전압 | V_{AC} | 220 |
| 소비전력 | W | 300 |
| 전원 출력 | W | 170 |
| 왕복유동 주파수 | 분. ⁻¹ | 0-22000 |
| 왕복유동 각도 | | 1.6° |
| 무게 | kg | 1.5 |

정의: 안전 지침

다음 정의는 각 경고 문구의 심각도를 설명합니다. 사용 설명서를 읽고 다음 기호들에 유의하십시오.



위험: 절박한 위험 상태를 나타내며, 방지하지 않으면 **사망 또는 심각한 부상을 초래합니다.**



경고: 잠재적 위험 상태를 나타내며, 방지하지 않으면 **사망 또는 심각한 부상을 초래할 수 있습니다.**



주의: 잠재적 위험 상태를 나타내며, 방지하지 않으면 **경미한 부상을 초래할 수 있습니다.**

참고: 신체 부상을 초래하지 않는 행위를 나타내며, 방지하지 않으면 **재산상의 손해가 발생할 수 있습니다.**



감전 위험을 나타냅니다.



화재 위험을 나타냅니다.



경고: 부상 위험을 줄이려면 사용 설명서를 숙지하십시오.

전동 공구에 관한 일반 안전 경고



경고! 안전 경고와 지시사항을 모두 읽으십시오. 경고와 지시 사항을 준수하지 않으면 감전, 화재 및/또는 심각한 부상을 초래할 수 있습니다.

향후 참고할 수 있도록 모든 경고 및 지시 사항을 보관해두십시오.

경고에서 사용된 "전동 공구"라는 용어는 주 공급 전원에 의해 전기가 공급되는(유선) 전동 공구 또는 충전식(무선) 전동 공구를 의미합니다.

1) 작업장 안전

- 작업 영역을 청결히 하고 조명을 밝게 유지하십시오.** 혼잡하거나 어두운 작업장에서는 사고가 발생하기 쉽습니다.
- 가연성 액체, 가스 또는 먼지 등이 있는 폭발성 대기에서 전동 공구를 사용하지 마십시오.** 전동 공구에서 먼지나 가스를 발화시킬 수 있는 불꽃이 될 수 있습니다.
- 전동 공구로 작업하는 동안에는 어린이와 주변 사람들이 작업 영역에 가까이 들어오지 못하도록 하십시오.** 주변이 산만해져 통제력을 잃을 수 있습니다.

2) 전기 안전

- 전동 공구의 플러그는 콘센트와 형식이 일치해야 합니다.** 플러그를 어떤 방식으로든 절대 개조하지 마십시오. 접지된(지면 접지) 전동 공구에 어떤 어댑터 플러그도 사용하지 마십시오. 개조되지 않은 플러그 및 형식이 일치하는 콘센트를 사용하면 감전 위험이 줄어듭니다.
- 파이프, 라디에이터, 렌지 및 냉장고 등과 같이 접지된 표면에 신체가 접촉하지 않도록 하십시오.** 신체가 접지되어 있으면 감전 위험이 높아집니다.
- 전동 공구를 비 또는 습한 환경에 노출하지 않도록 주의하십시오.** 전동 공구에 물이 들어가면 감전 위험이 높아집니다.
- 코드를 함부로 다루지 마십시오.** 코드를 사용하여 전동 공구를 운반하거나 잡아당기거나 플러그를 뽑지 마십시오. 열, 오일, 날카로운 모서리 또는 움직임은 부품에서 멀리 떨어진 장소에 코드를 보관하십시오. 코드가 손상되거나 얽혀 있으면 감전 위험이 높아집니다.
- 전동 공구를 실외에서 사용할 때는 실외 사용에 적합한 연장 코드를 사용하십시오.** 실외 사용에 적합한 코드를 사용하면 감전 위험이 줄어듭니다.

- f) 어쩔 수 없이 습한 장소에서 전동 공구를 사용해야 하는 경우에는 누전 차단기(RCD)로 보호된 전원 공급 장치를 사용하십시오. RCD(차단기)를 사용하면 감전 위험이 줄어듭니다.
- 3) 신체 안전
- a) 전동 공구로 작업할 때는 방심하지 말고 작업에 주의하면서 상식을 따르십시오. 피곤한 상태이거나 약물, 술, 치료제를 복용한 상태에서는 전동 공구를 사용하지 마십시오. 전동 공구를 사용하는 중에 주의력을 잃어 순간적으로 부상을 당할 수 있습니다.
- b) 신체 보호 장비를 착용하십시오. 항상 보안경을 착용하십시오. 적합한 상황에서 방진 마스크, 미끄럼 방지 안전화, 안전모 또는 청력 보호 기구 등의 보호 장비를 사용하면 신체 부상 위험이 줄어듭니다.
- c) 의도하지 않은 장비 가동 방지. 전원 및/또는 배터리 팩에 연결한 상태로 공구를 선택 또는 운반할 때는 사전에 스위치가 꺼짐 위치에 있는지 반드시 확인하십시오. 스위치가 꺼짐 위치에 있는 상태에서 스위치에 손가락이 닿은 상태로 전동 공구를 운반하거나 전동 공구에 전원을 공급하면 사고가 발생합니다.
- d) 전동 공구를 켜기 전에 모든 조정 키 또는 레버를 제거하십시오. 전동 공구의 회전 부품에 렌치나 키가 부착되어 있으면 부상을 당할 수 있습니다.
- e) 무리하게 팔을 뻗지 마십시오. 항상 올바른 자세로 서서 균형을 유지하십시오. 그러면 예기치 않은 상황에서 전동 공구에 대한 제어력이 향상됩니다.
- f) 적절한 작업복을 착용합니다. 헐렁한 옷이나 장신구를 착용하지 마십시오. 머리카락, 옷 및 장갑이 움직이는 부품에 닿지 않도록 유의하십시오. 헐렁한 옷, 장신구 또는 긴 머리카락이 움직이는 부품에 걸 수 있습니다.
- g) 먼지 배출 및 집진 시설 연결을 위한 장치가 제공된 경우, 이들 장치가 연결되어 적절히 사용되고 있는지 반드시 확인하십시오. 집진 장치를 사용하면 먼지와 관련된 위험을 줄일 수 있습니다.
- 4) 전동 공구 사용 및 관리
- a) 전동 공구에 무리한 힘을 가하지 마십시오. 해당 용도에 맞는 올바른 전동 공구를 사용하십시오. 올바른 전동 공구를 사용해야 설계된 속도로 작업을 더욱 안전하고 정확하게 수행할 수 있습니다.
- b) 켜지거나 꺼지지 않는 경우 전동 공구를 사용하지 마십시오. 스위치로 제어되지 않는 전동 공구는 위험하며 수리해야 합니다.
- c) 전동 공구를 조정하거나 액세서리를 변경하거나 보관하기 전에 전원 및/또는 배터리 팩에서 플러그를 뽑으십시오. 이러한 예방적 안전 조치를 따라야 전동 공구가 갑자기 작동할 위험이 줄어듭니다.
- d) 사용하지 않는 전동 공구는 어린이의 손이 닿지 않는 곳에 보관하고, 전동 공구나 본지시 사항에 익숙하지 않은 사람이 전동 공구를 절대 사용하지 못하게 하십시오. 전동 공구는 훈련을 받지 않은 사용자가 다루면 위험합니다.
- e) 전동 공구 유지 보수. 움직이는 부품의 잘못된 정렬이나 바인딩, 부품 파손 및 기타 전동 공구의 작동에 영향을 미칠 수 있는 기타 모든 상태를 확인하십시오. 손상된 부분이 있는 경우 사용하기 전에 전동 공구를 수리하십시오. 많은 사고는 전동 공구를 제대로 유지 보수하지 않아 발생합니다.
- f) 절단 공구를 예리하고 깨끗한 상태로 유지하십시오. 절단기석 가장자리를 예리하게 잘 유지하면 절단기를 사용할 때 바인딩이 적고 다루기가 용이합니다.
- g) 작업 환경과 수행할 작업을 고려하여, 본지시 사항에 따라 전동 공구, 액세서리 및 틀 비트 등을 사용하십시오. 본 사용 설명서의 내용과 다른 용도로 전동 공구를 사용하면 위험한 상황이 발생할 수 있습니다.
- 5) 정비
- a) 자격을 갖춘 기술자가 동일 교체 부품을 사용하여 정비 작업을 수행해야 합니다. 그래야 전동 공구의 안전이 보장됩니다.

전동형 멀티 툴에 적용되는 추가 안전 규칙



경고: 유독성 먼지를 발생시킬 수 있는 일부 목재(예, 너도밤나무, 참나무)와 금속을 샌딩할 때 특히 주의하십시오. 유독성 먼지와 연기로부터 보호하도록 특수 설계된 방진 마스크를 착용하고 작업장 내부에 있는 사람이나 작업장 내부로 들어오는 사람들도 마스크를 착용하도록 하십시오.



경고: 비철금속을 샌딩할 때는 환기가 잘 되는 곳에서 이 공구를 사용하십시오. 가연성 액체, 가스 또는 먼지가 있는 장소에서 공구를 작동하지 마십시오. 절삭 또는 호 모터 버러시에서 튀는 불꽃이나 뜨거운 입자로 인해 가연성 물질에 불이 붙을 수 있습니다.

페인트 샌딩 작업



경고: 페인트 샌딩 작업 시 해당 규정을 준수하십시오. 특히 다음에 주의하십시오.

- 가능할 때마다, 집진을 위해 진공 환기 장치를 사용하십시오.
- 납이 기본 성분인 페인트 샌딩 시에는 특히 주의하십시오.
 - 어린이와 임산부의 작업장 출입을 차단하십시오.
 - 작업장에 들어가는 모든 사람은 백 페인트 먼지와 연기에 대해 보호 기능이 있게 특별히 설계된 마스크를 착용해야 합니다.
 - 작업장에서 식사하거나 음료를 마시거나 담배를 피지 마십시오.
- 먼지 입자 및 기타 제거 부스러기는 안전하게 폐기하십시오.
- **절삭 공구가 숨겨진 배선 또는 자체 코드에 접촉할 수 있는 작업을 수행할 때는 절연된 부분으로 전동 공구를 잡으십시오.** "전류가 흐르는" 전선과 접촉하면 공구의 노출된 금속 부분에 "전류가 흘러" 작업자가 감전될 수 있습니다.
- **클램프 또는 다른 적절한 것을 사용하여 작업물을 작업대에 고정 및 지지하십시오.** 작업물을 손으로 잡거나 몸으로 지탱하는 행동은 불안정하여 제어력을 잃을 수 있습니다.

기타 발생 가능한 위험

관련된 안전 규정을 준수하고 안전 장치를 사용한다고 해도 특정한 위험은 피할 수 없습니다. 이러한 위험은 다음과 같습니다.

- 청력 손상.
- 파편 날림으로 인한 신체 부상 위험.
- 작업 중 뜨거워지는 액세서리로 인한 화상 위험.
- 장시간 사용으로 인한 신체 부상의 위험.

공구에 표시된 마크

공구에는 다음과 같은 그림이 있습니다.



사용 전에 사용 설명서의 내용을 숙지하십시오.



귀 보호 장구를 착용하십시오.



보안경을 착용하십시오.



호흡기 보호 장구를 착용하십시오.

날짜 코드 위치(그림 1)

날짜 코드(①)에는 제조년도가 포함되어며 케이스에 인쇄되어 있습니다.

예:

2013 XX XX

제조년도

포장 내용물

포장에는 다음 내용물이 들어 있습니다.

- 1 모든 톱날용 어댑터
- 1 집진 장치 어댑터(DWE315K)
- 1 절삭 가이드(DWE315K)
- 1 31 mm x 43 mm 목재용 패스트컷 톱날 (DWE315K)
- 1 31 mm x 43 mm 금속, 목재용 프런지컷 톱날
- 1 100 mm 반원형 톱날(DWE315K)
- 1 샌딩 패드
- 25 장 연마지 (거칠기별)
 - 1 9.5 mm x 43 mm 우드 디테일 톱날(DWE315K)
 - 1 3 mm 카바이드 그라우트 제거 톱날 (100 mm 반달) (DWE315K)
 - 1 단단한 스크래퍼 톱날
 - 1 육각 키
 - 1 키트 박스(DWE315K)
 - 1 사용 설명서
- 운반 중에 발생할 수 있는 공구, 부품 또는 액세서리의 손상 여부를 확인하십시오.
- 작동 전에 시간을 내어 본 사용 설명서를 읽고 숙지하십시오.

설명 (그림 1)



경고: 전동 공구 또는 전동 공구의 어떤 부품도 절대 개조하지 마십시오. 제품이 파손되거나 신체 부상을 당할 수 있습니다.

- a. 가변 속도 트리거
- b. LED 작업등
- c. 액세서리 클램프 레버
- d. 잠금 버튼
- e. 액세서리 측면 장착 슬롯
- f. 절삭 가이드 블럭
- g. 절삭 가이드 암

용도

본 진동형 멀티 툴은 전문가용 디테일 샌딩, 플런지 절단, 수평 절단, 과도한 작업물 제거 및 표면 처리용으로 설계되었습니다.

습한 환경이나 가연성 액체 또는 가스가 있는 장소에서 사용하지 **마십시오**.

이 진동 멀티 툴은 전문 전문가용 공구입니다.

어린이가 이 공구를 만지지 않도록 하십시오. 경험이 없는 작업자가 이 공구를 사용할 때는 감독자의 지도가 필요합니다.

- 본 제품은 안전 책임을 맡고 있는 사람이 감독을 하고 있지 않는 한 경험, 지식 또는 기술이 부족하고 신체적, 감각적 또는 정신적 능력이 미약한 사람(어린이 포함)이 사용하도록 고안된 것이 아닙니다. 이 제품과 함께 어린이만 혼자 두어서는 안됩니다.

전기 안전

전기 모터는 한 가지 전압에만 맞추어 설계되었습니다. 전원이 전동기 네임 플레이트에 기재된 전압과 일치하는지 항상 확인하십시오.



DEWALT 공구는 EN 60745에 따라 이중 절연되어 있으므로, 접지선이 필요하지 않습니다.



경고: 115 V 기기는 1차 권선과 2차 권선 사이에 접지판이 있는 페일 세이프 절연 변압기를 통해 작동되어야 합니다.

전원 코드가 손상된 경우에는 DEWALT 서비스 센터를 통해 특수 제작된 코드로 교체해야만 합니다.

연장 케이블 이용

연장 케이블이 필요할 경우 이 공구의 소비전력에 맞는 승인된 3 코어 연장 케이블을 사용하십시오(기술 자료 참조). 최소 도체 크기는 1.5 mm², 최대 길이는 30 m입니다.

케이블 릴을 사용할 때는 항상 케이블을 완전히 푸십시오.

조립 및 조정



경고: 액세서리를 설치 및 제거하기 전, 구성 상태를 조정하거나 변경하기 전, 또는 수리 시 부상의 위험을 줄이려면 장치를 끄고 전원에서부터 연결을 차단하십시오. 트리거 스위치가 꺼진 위치에 있는지 반드시 확인하십시오. 공구가 갑자기 작동하여 부상을 당할 수 있습니다.



경고: 찢어짐 또는 화상 위험. 공구를 작동시킨 직후 작업물이나 툴날을 만지지 마십시오. 매우 뜨거울 수 있습니다. 주의하여 다루십시오. 항상 처리하기 전에 액세서리와 작업물이 식게 두십시오.

액세서리 설치 및 제거 (그림 2, -6)

도구가 필요 없는 액세서리 클램프(그림 2-4)

DWE315는 신속한 액세서리 교환 시스템이 특징적입니다. 이를 통해 다른 진동형 공구 시스템과 같이 렌치 또는 육각 키를 사용할 필요 없이 보다 빠르게 액세서리를 교환할 수 있습니다.

1. 그림 2와 같이 공구를 잡고 액세서리 클램프 레버(o)를 꺾 주십시오.
2. 공구 샤프트와 액세서리 홀더에서 남아 있는 파편을 깨끗이 치우십시오.
3. 액세서리가 홀더의 모든 핀(8개)과 맞물리고 샤프트와 수평을 이루는지 확인하면서 샤프트(h)와 액세서리 홀더 사이의 액세서리를 밀니다. 그림 3과 같이 액세서리의 방향이 맞는지 확인하십시오.
4. 액세서리 클램프 레버를 놓습니다.

참고: 그림 4와 같이 필요할 경우 스크래퍼 및 툴날과 같은 일부 액세서리를 비스듬히 장착할 수 있습니다.

샌딩 시트 설치/제거하기(그림 5)

다이아몬드 모양의 테이블은 샌딩 시트를 장착하기 위해 후크 및 루프 접착 시스템을 사용합니다. 테이블을 통해 큰 평면과 아주 힘든 상황에서 사용할 수 있습니다.

1. **액세서리 설치/제거하기**에서 설명한 대로 샌딩 테이블을 장착합니다.
2. 샌딩 시트의 가장자리를 샌딩 테이블의 가장자리와 맞추고 샌딩 시트(t)를 테이블 위로 누릅니다.
3. 샌딩 시트를 평평한 면에 장착한 상태에서 베이스를 단단히 누르고 잠깐 동안 공구 스위치를 켵니다. 이렇게 하면 테이블과 샌딩 시트 간 접착력이 좋아지고 정상보다 이른 마모를 방지할 수도 있습니다.
4. 샌딩 시트의 끝이 많은 경우, 테이블에서 시트를 떼어낸 다음 돌려서 다시 붙입니다.

일반 어댑터를 사용하여 액세서리 장착하기 (그림 6)



주의: 부상을 방지하려면, 어댑터가 액세서리를 잡지 못하는 용도를 위해 액세서리를 사용하지 마십시오.



주의: 이 공구와 함께 사용하는 액세서리에 대한 제조업체의 모든 안전 경고를 읽고 준수하십시오.



주의: 부상을 방지하려면 어댑터와 액세서리가 단단히 조여졌는지 확인하십시오.

일반 어댑터를 사용하여 비-DEWALT 액세서리를 장착할 수 있습니다.

1. 공구 위에 와셔(k)를 놓습니다.
2. 와셔 위에 액세서리를 놓습니다.
3. 육각 렌치(p)를 사용하여 어댑터 너트(l)를 조여 고정합니다.

절삭 가이드 장착하기(그림 7-12)

깊이/절삭 가이드를 통해 지정된 깊이로 작업물을 정확하게 자르고 더 정확하게 표시된 절단선을 추적할 수 있습니다.

1. 가이드의 액세서리 탭(m)을 공구 본체의 액세서리 측면 장착 슬롯(e)에 끼워서 절삭 가이드 블럭(f)을 장착합니다.
2. 제공된 블럭(o)과 와셔(u)로 블럭을 본체에 고정합니다. 제공된 육각 렌치(p)를 사용하여 조입니다.

깊이 가이드

이 기능을 통해 지정된 깊이로 작업물을 정확하게 자를 수 있습니다.

1. 그림 8과 같이 가이드 암(g)을 가이드 블럭(f)의 앞쪽 슬롯에 끼웁니다.
2. 그림 9와 같이 원하는 절삭 깊이를 얻으려면 빼거나 안쪽으로 밀어서 가이드 길이를 조정합니다.
3. 깊이/절삭 노브(n)를 시계 방향으로 돌려서 가이드를 제자리에 고정합니다. 가이드를 놓으려면 깊이/절삭 조정 노브를 시계 반대 방향으로 돌립니다.

절삭 가이드

이 기능을 통해 표시한 절삭선을 더 정확하게 추적할 수 있습니다.

1. 그림 10과 같이 가이드 암(g)을 가이드 블럭(f)의 왼쪽 및 오른쪽 슬롯에 끼웁니다.

2. 그림 11과 같이 원하는 길이에 도달하려면 빼거나 안쪽으로 밀어서 가이드 길이를 조정합니다.
3. 깊이/절삭 노브(n)를 시계 방향으로 돌려서 가이드를 제자리에 고정합니다. 가이드를 놓으려면 깊이/절삭 조정 노브를 시계 반대 방향으로 돌립니다.

참고: 가이드 암 또한 높이를 자른 만큼 빼고 설정하기 위해 가이드 어셈블리에 수직으로 놓을 수 있습니다. 그림 12를 참조하십시오.

집진 어댑터 장착하기(그림 16)

AirLock™ 시스템(DWW9000-XJ) 또는 표준 35 mm 집진기 장비를 사용하여 집진 어댑터를 외부 집진기에 연결할 수 있습니다.

1. 탭(m)을 액세서리 측면 장착 슬롯(e)에 끼워서 집진 어댑터(q)를 장착합니다.
2. 나사(o)와 와셔(u)를 집진 어댑터(q)에 끼우고 제공된 육각 키(p)로 조입니다.

작동

사용 지침 (그림 13, 14)



경고: 안전 지시 사항과 해당 규정을 항상 준수하십시오.



경고: 심각한 신체 부상의 위험을 줄이려면 부착물 또는 액세서리를 조정하거나 제거/설치하기 전에 공구를 끄고 전원에서 공구 플러그를 빼십시오.



경고: 전원 코드에 플러그를 꽂기 전에 스위치가 완전히 꺼졌는지 확인하십시오.

1. 전원 코드의 플러그를 꽂습니다.
2. 공구 전원을 켜고 그림 13과 같이 잡고 가변 속도 트리거(a)를 누릅니다.

참고: 트리거 스위치를 강하게 당길수록 공구 작동이 더 빨라집니다. 적절한 작동 속도에 대해 확신이 서지 않는 경우, 저속에서 성능을 테스트하고 편안한 속도를 찾을 때까지 점차적으로 속도를 높이십시오.

3. 공구를 끄려면 가변 속도 트리거(a)를 놓습니다.

잠금 버튼(그림 14)

오랜 시간 작업 중의 편리성을 위해서, 잠금 버튼(d)이 누른 위치에서 트리거(a)를 잠글 수 있습니다.

LED 작업등(그림 15)

트리거를 누르면 LED 작업등(b)이 작동됩니다.

올바른 손의 위치(그림 13)



경고: 심각한 신체 부상의 위험을 줄이려면 **항상** 그림과 같이 올바르게 손을 위치하십시오.



경고: 심각한 부상의 위험을 줄이려면 **항상** 급작스러운 반응을 예상하고 확실하게 잡으십시오.

적정한 손의 위치가 되려면 그림 13과 같이 공구를 잡아야 합니다.

샌딩 테이블과 함께 집진 어댑터 사용하기(그림 17)

1. 집진 어댑터(q)를 장착합니다. **집진 어댑터 장착하기**를 참조하십시오.
2. **액세서리 설치/제거하기**에서 설명한 대로 샌딩 테이블을 장착합니다.
3. **샌딩 시트 설치/제거하기**에서 설명한 대로 샌딩 시트를 장착합니다.

플런지 절단 액세서리와 함께 집진 어댑터 사용하기(그림 18)

1. 집진 어댑터를 장착합니다. **집진 어댑터 장착하기**를 참조하십시오.
2. 집진 암(s)을 집진 어댑터(q)의 하부 구멍으로 밀어 넣습니다.
3. **액세서리 설치/제거하기**에서 설명한 대로 플런지 절단 비트를 장착합니다.
4. 최상의 결과를 위해 집진 암(s)을 조절합니다.

유용한 힌트

- 항상 작업물이 움직이지 않도록 단단히 고정되어 있는지 확인하십시오. 작업물의 모든 움직임은 절삭 또는 샌딩 마감 처리에 영향을 미칠 수 있습니다.
- 사포를 샌딩 테이블에 장착하지 않은 상태에서 샌딩을 시작하지 마십시오.
- 거친 표면을 샌딩할 때는 거친 연마지를 사용하고, 부드러운 표면에는 중간 연마지를 사용하고 표면 마감 시에는 미세한 연마지를 사용하십시오. 필요할 경우, 먼저 재료 조각에서 테스트를 해 보십시오.

- 과도한 힘을 가하면 작업 효율성이 떨어지고 모터 과부하를 야기합니다. 액세서리를 정기적으로 교체하면 최적의 작업 효율성이 유지됩니다.

- 사포가 닳아 없어지도록 하지 마십시오. 샌딩 패드가 손상될 수 있습니다.

- 저속에서 사용되는 경우 공구가 과열된 경우, 속도를 최대로 설정하고 2-3분간 무부하로 작동하여 모터의 열을 식히십시오. 매우 저속에서 장기적인 사용을 피하십시오. 항상 톱날을 날카롭게 유지하십시오.

유지 보수

DEWALT 전동 공구는 최소한의 유지 보수로 장기간에 걸쳐 작업이 가능하도록 설계되어 있습니다. 만족스러운 연속 작동은 적절한 공구 관리와 정기적인 청소에 따라 그 성능이 달라질 수 있습니다.



경고: 액세서리를 설치 및 제거하기 전, 설정 상태를 조정하거나 변경하기 전, 또는 수리 시 부상의 위험을 줄이려면 장치를 끄고 전원으로부터의 연결을 차단하십시오. 트리거 스위치가 꺼짐 위치에 있는지 반드시 확인하십시오. 공구가 갑자기 작동하여 부상을 당할 수 있습니다.



운할방법

전동 공구는 별도의 운할 작업이 필요하지 않습니다.



청소



경고: 통풍구 속이나 주변에 먼지가 쌓여있는 것이 보이면 가능한 한 자주 건조한 공기를 이용하여 몸체에서 먼지를 불어내십시오. 이 절차를 수행할 때에는 승인된 눈 보호 장구 및 승인된 방진 마스크를 착용하십시오.



경고: 공구의 금속 이외의 부품을 청소할 때는 용제 등의 강력한 화학약품을 절대 사용하지 마십시오. 그렇지 않으면 이러한 부분에 사용된 재료가 약해질 수 있습니다. 헹글에 물과 순한 비누를 적셔 닦아주십시오. 공구 내부에 액체를 넣거나 공구

부품을 액체에 담그는 행동은 절대 금물입니다.

환경 오염이 방지되고 고철 자원에 대한 수요를 줄일 수 있습니다.

옵션 액세서리



경고: DEWALT에서 제공하지 않은 액세서리는 본 제품에서 테스트되지 않았으므로, 본 제품에서 이러한 액세서리를 사용하면 위험할 수 있습니다. 신체 부상의 위험을 줄이려면 본 제품에 DEWALT 권장 액세서리만 사용해야 합니다.

해당 액세서리에 대한 자세한 정보는 판매 대리점으로 문의하십시오.

호환 가능한 액세서리

- 진동형 샌딩 패드
- 진동형 금속, 목재용 프런지컷 톱날
- 넓은 티타늄 진동형 금속, 목재용 플런지컷 톱날
- 진동형 견목 톱날
- 진동형 목재용 패스트컷 톱날
- 넓은 진동형 목재용 패스트컷 톱날
- 진동형 목재용 디테일 톱날
- 진동형 티타늄 금속 톱날
- 진동형 반원 톱날
- 진동형 티타늄 반원 톱날
- 진동형 수평 절단 톱날
- 티타늄 진동형 수평 절단 톱날
- 진동형 멀티 재료 톱날
- 진동형 단단한 스크래퍼 톱날
- 진동형의 유연한 스크래퍼 톱날
- 진동형 카바이드 그라우트 제거 톱날
- 진동형 패스트컷 카바이드 그라우트 제거 톱날
- 진동형 카바이드 줄

지역에 따라 가정용 가전제품을 분리 수거하는 규정이 마련되어 있거나 새로운 제품을 구입할 때 판매점에서 폐기 방법을 알려줄 수 있습니다.

DEWALT는 사용이 끝난 DEWALT 제품을 수집하여 재활용하기 위한 시설을 운영하고 있습니다. 이 서비스를 활용하려면 당사가 폐 제품 수거를 위한 공인 수리 대리점에 제품을 반환해 주십시오.

본 사용 사용 설명서에 기재된 연락처로 가까운 DEWALT 센터에 연락하면 가까운 수리 지정점 위치를 찾을 수 있습니다. 또는 다음 웹 사이트를 방문하여 DEWALT 수리 지정점 목록과 A/S 및 연락처 등 자세한 정보를 찾아볼 수 있습니다.

www.dewalt.co.kr

환경 보호



분리 수거하십시오. 본 제품을 일반 가정용 쓰레기로 처리하면 안됩니다.

DEWALT 제품을 교체해야 하거나 더 이상 쓸모가 없어졌다고 판단될 때는 본 제품을 가정용 쓰레기와 함께 처리하지 마십시오. 이 제품은 분리 수거하십시오.



사용하던 제품과 포장을 분리 수거하면 자원을 재활용 및 재사용할 수 있습니다. 재활용 자원을 이용하면

문제 해결

| 문제 | 가능한 원인 | 가능한 해결책 |
|----------------|----------------------|--|
| 기기가 작동하지 않습니다. | 전원 플러그 코드를 꽂지 않았습니다. | 공구 전원 플러그를 콘센트에 꽂으십시오. |
| | 회로 퓨즈가 나갑니다. | 회로 퓨즈를 교체하십시오. (제품의 회로 퓨즈 반복적으로 나가는 경우, 즉시 사용을 중단하고 공인 DeWALT 수리 대리점에서 서비스를 받으십시오.) |
| | 회로 차단기가 차단됩니다. | 회로 차단기를 재설정하십시오. (제품의 회로 차단기가 반복적으로 작동되는 경우, 즉시 사용을 중단하고 공인 DeWALT 수리 대리점에서 서비스를 받으십시오.) |
| | 코드 또는 스위치가 손상되었습니다. | 공인 DeWALT 수리점에서 코드 또는 스위치를 교체하십시오. |

MULTI-PERKAKAS PENGOSILASI DWE315

Selamat!

Anda sudah memilih perkakas DEWALT. Pengalaman bertahun-tahun, pengembangan dan inovasi produk menyeluruh menjadikan DEWALT salah satu rekan yang paling mampu diandalkan bagi para pengguna perkakas listrik profesional.

Data Teknis

| | | DWE315 |
|-----------------------|-------------------|-----------|
| Voltase | V_{AC} | 220-240 |
| Input daya | W | 300 |
| Output daya | W | 170 |
| Frekuensi pengosilasi | min^{-1} | 0 – 22000 |
| Sudut pengosilasi | | 1,6° |
| Berat | kg | 1,5 |

Definisi: Pedoman Keselamatan

Definisi berikut ini menjelaskan tingkat bahaya untuk setiap kata sinyal. Harap baca buku petunjuk dan perhatikan simbol-simbol ini.



BAHAYA: Mengindikasikan situasi berbahaya yang tak terelakkan, yang jika tidak dihindari, akan mengakibatkan **kematian atau cedera berat**.



PERINGATAN: Mengindikasikan situasi berbahaya yang berpotensi terjadi, yang jika tidak dihindari, **dapat** mengakibatkan **kematian atau cedera berat**.



PERHATIAN: Mengindikasikan situasi berbahaya yang berpotensi terjadi, yang jika tidak dihindari, **dapat** mengakibatkan **cedera ringan atau sedang**.

PEMBERITAHUAN: Mengindikasikan suatu praktik yang **tidak berhubungan dengan cedera pribadi**, yang jika tidak dihindari, **mungkin** mengakibatkan **kerusakan barang**.



Menunjukkan adanya risiko sengatan listrik.



Menunjukkan risiko kebakaran.



PERINGATAN: Untuk mengurangi risiko cedera, baca buku petunjuk manual.

Peringatan Keselamatan Alat Listrik Umum



PERINGATAN! Baca seluruh peringatan keselamatan dan seluruh petunjuk.

Kegagalan untuk mengikuti peringatan dan instruksi dapat mengakibatkan sengatan listrik, kebakaran, dan/atau cedera berat.

SIMPAN SEMUA PERINGATAN DAN PETUNJUK UNTUK REFERENSI DI MASA MENDATANG

Istilah "perkakas listrik" dalam peringatan mengacu pada perkakas listrik milik Anda yang dioperasikan dengan listrik (berkabel) atau perkakas listrik yang dioperasikan dengan baterai (nirkabel).

1) KESELAMATAN AREA KERJA

- Jaga agar area kerja tetap bersih dan terang.** Area yang berantakan atau gelap berpotensi mengakibatkan kecelakaan.
- Jangan operasikan alat listrik di lingkungan yang dapat meledak, misalnya jika terdapat cairan, gas, atau debu yang mudah terbakar.** Alat listrik menimbulkan percikan api yang dapat menyulut debu atau uap.
- Jauhkan anak-anak dan orang-orang di sekitar Anda saat mengoperasikan perkakas listrik.** Gangguan dapat menyebabkan Anda kehilangan kendali.

2) KESELAMATAN KELISTRIKAN

- Steker perkakas listrik harus sesuai dengan stopkontak. Jangan pernah memodifikasi steker dengan cara apa pun. Jangan gunakan steker adaptor apa pun dengan alat listrik yang dibumikan (grounded).** Steker yang tidak dimodifikasi dan stopkontak yang sesuai akan mengurangi risiko sengatan listrik.
- Jagalah agar badan Anda tidak bersentuhan dengan permukaan yang dibumikan, seperti pipa, radiator, kompor, dan kulkas.** Risiko sengatan listrik dapat meningkat jika tubuh Anda bersentuhan dengan permukaan yang dibumikan.
- Jangan sampai perkakas listrik ini terkena hujan atau terpapar pada kondisi yang basah.** Air yang masuk ke alat listrik akan meningkatkan risiko sengatan listrik.
- Jangan menyalahgunakan kabel. Jangan sekali-kali menggunakan kabel untuk membawa, menarik, atau mencabut alat listrik. Jauhkan kabel dari panas, minyak, tepi tajam, atau komponen yang bergerak.** Kabel yang rusak atau terbelit meningkatkan risiko sengatan listrik.

- e) **Bila mengoperasikan perkakas listrik di luar ruangan, gunakan kabel ekstensi yang sesuai untuk penggunaan di luar ruangan.** Menggunakan kabel yang sesuai untuk penggunaan di luar ruangan akan mengurangi risiko sengatan listrik.
- f) **Jika terpaksa mengoperasikan perkakas listrik di lokasi lembap, gunakan catu daya yang dilindungi pemutus sirkuit arus sisa (RCD).** Penggunaan RCD akan mengurangi risiko sengatan listrik.

3) KESELAMATAN DIRI

- a) **Tetaplah waspada, perhatikan apa yang Anda tengah kerjakan dan gunakan akal sehat saat mengoperasikan perkakas listrik. Jangan mengoperasikan perkakas listrik bila Anda sedang lelah, atau berada di bawah pengaruh obat, alkohol, atau pengobatan.** Kelengahan sesaat saja saat mengoperasikan alat listrik dapat mengakibatkan cedera diri serius.
- b) **Gunakan peralatan pelindung diri. Selalu kenakan alat pelindung mata. Peralatan pelindung, seperti masker debu, sepatu keselamatan antiselip, helm proyek, atau pelindung telinga yang digunakan untuk kondisi yang sesuai akan mengurangi risiko cedera diri.**
- c) **Hindari menyalakan perkakas tanpa disengaja. Pastikan bahwa sakelar sudah dalam posisi mati sebelum menghubungkannya ke sumber listrik dan/ atau baterai, mengambil, atau membawa alat.** Membawa perkakas listrik dengan jari Anda masih menempel pada sakelar atau menghidupkan perkakas listrik yang sakelarnya masih menyala akan berpotensi mengakibatkan kecelakaan.
- d) **Lepaskan semua kunci setelan atau kunci pas sebelum menghidupkan perkakas listrik.** Kunci pas atau kunci yang dibiarkan terpasang pada komponen alat listrik yang berputar dapat mengakibatkan cedera diri.
- e) **Jangan melampaui batas. Selalu jaga pijakan dan keseimbangan yang baik.** Hal ini memungkinkan Anda untuk mengendalikan alat listrik secara lebih baik dalam situasi yang tidak terduga.
- f) **Kenakan pakaian yang sesuai. Jangan mengenakan pakaian longgar atau perhiasan. Jauhkan rambut, pakaian dan sarung tangan dari komponen yang bergerak.** Pakaian yang longgar, perhiasan atau rambut panjang dapat tersangkut pada komponen yang bergerak.
- g) **Jika disediakan perangkat untuk sambungan fasilitas pengeluaran dan pengumpulan debu, pastikan perangkat ini dihubungkan dan digunakan dengan sesuai.** Penggunaan

perangkat pengumpul debu dapat mengurangi bahaya yang ditimbulkan oleh debu.

4) PENGGUNAAN DAN PERAWATAN ALAT LISTRIK

- a) **Jangan menggunakan perkakas listrik dengan paksa. Gunakan alat listrik yang benar untuk aplikasi Anda.** Perkakas listrik yang tepat akan bekerja lebih baik dan aman pada tingkat kelajuan yang telah dirancang untuk perkakas itu.
- b) **Jangan gunakan perkakas listrik ini jika tombol tidak dapat menghidupkan dan mematikan perkakas.** Perkakas listrik apa pun yang tidak dapat dikendalikan dengan sakelar adalah berbahaya dan harus diperbaiki.
- c) **Lepaskan stopkontak dari sumber listrik dan/ atau baterai dari perkakas listrik sebelum melakukan penyetelan apa pun, mengganti aksesoris, atau menyimpan perkakas listrik.** Tindakan pencegahan demi keselamatan tersebut mengurangi risiko menjalankan perkakas listrik secara tak sengaja.
- d) **Simpan perkakas listrik yang tidak digunakan jauh dari jangkauan anak-anak, dan jangan membolehkan orang yang tidak memahami perkakas listrik atau petunjuk ini untuk mengoperasikannya.** Perkakas listrik bisa berbahaya bila digunakan oleh pengguna yang tidak terlatih.
- e) **Rawat perkakas listrik. Lakukan pemeriksaan untuk mengetahui apakah ada komponen bergerak yang tidak sejajar atau bengkok, komponen yang patah, dan kondisi lainnya yang dapat memengaruhi pengoperasian alat listrik. Jika rusak, perbaiki alat listrik sebelum digunakan.** Banyak terjadi kecelakaan akibat alat listrik yang tidak terawat dengan baik.
- f) **Jaga ketajaman dan kebersihan alat pemotong.** Alat pemotong yang terawat dengan baik dengan mata potong yang tajam akan kecil kemungkinannya untuk macet serta lebih mudah untuk dikendalikan.
- g) **Gunakan perkakas listrik, aksesoris, dan mata bor, dsb. sesuai instruksi-instruksi ini, dengan memperhitungkan persyaratan kerja dan jenis pekerjaan yang harus dilakukan.** Menggunakan perkakas listrik untuk pengoperasian yang berbeda dengan yang dimaksudkan akan mengakibatkan situasi yang membahayakan.

5) SERVIS

- a) **Perkakas listrik sebaiknya diservis oleh teknisi yang mahir dan hanya menggunakan komponen pengganti yang persis sama.** Hal ini akan membuat keamanan alat listrik selalu terjaga.

Aturan Keselamatan Tambahan untuk Multi-Perkakas Pengosilasi



PERINGATAN: *Berhati-hatilah saat mengampelas beberapa macam kayu (misalnya, beech, oak) dan logam yang dapat menghasilkan debu beracun. Pakai masker debu yang dirancang secara khusus untuk melindungi terhadap debu dan uap, dan pastikan bahwa orang yang berada di dalam atau yang memasuki area kerja juga terlindungi.*



PERINGATAN: *Gunakan perkakas ini dalam area berventilasi baik saat mengampelas logam besi. Jangan menjalankan alat ini di dekat cairan, gas, atau debu yang mudah terbakar. Percikan atau partikel panas dari kuas motor pengampelas atau pemancar dapat menyulut bahan yang mudah terbakar.*

Mengampelas Cat



PERINGATAN: *Patuhi peraturan mengampelas cat yang berlaku. Perhatikan hal berikut secara khusus:*

- *Kapan saja memungkinkan, gunakan ekstraktor vakuum untuk pengumpulan debu.*
- *Berhati-hatilah saat mengampelas cat yang kemungkinan berbahaya dasar timbal:*
 - *Jangan biarkan anak-anak atau wanita hamil memasuki area kerja.*
 - *Semua orang yang memasuki area kerja harus mengenakan masker yang didesain secara khusus untuk perlindungan dari debu dan uap cat timbal.*
 - *Jangan makan, minum, atau merokok di area kerja.*
- *Buang partikel debu dan kotoran lainnya dengan aman.*
- **Pegang perkakas listrik pada permukaan pegangan berisolasi saat melakukan operasi di mana alat pemotong dapat mengenai kabel yang tersembunyi atau kabel itu sendiri.** *Sentuhan dengan kabel bertegangan listrik dapat mengalirkan arus listrik pada komponen logam dari perkakas listrik dan menyebabkan sengatan listrik pada pengguna.*
- **Gunakan penjepit atau cara praktis lain untuk mengencangkan dan menyangga benda kerja di permukaan yang stabil.** *Memegang benda dengan tangan atau disandarkan pada tubuh Anda akan membuatnya tidak stabil dan dapat mengakibatkan hilangnya kendali.*

Risiko-risiko lain

Sekalipun peraturan keselamatan terkait sudah diterapkan dan peralatan pengaman sudah digunakan, risiko-risiko lain tertentu tidak dapat dihindari. Antara lain:

- *Kerusakan indera pendengaran.*
- *Risiko cedera pribadi karena partikel-partikel yang beterbangan.*
- *Risiko luka bakar karena aksesori menjadi panas selama operasi.*
- *Risiko cedera pribadi karena penggunaan berkepanjangan.*

Tanda pada Perkakas

Gambar-gambar berikut ini tertera pada perkakas:



Baca buku petunjuk sebelum penggunaan.



Gunakan pelindung telinga.



Gunakan pelindung mata.



Kenakan pelindung pernapasan.

POSISI KODE TANGGAL (GBR. 1)

Kode tanggal (p), yang juga mencantumkan tahun pembuatan, tercetak pada wadah perkakas.

Contoh:

2013 XX XX

Tahun Pembuatan

Isi Kemasan

Kemasan memuat:

- 1 Adaptor untuk semua mata pisau
- 1 Adaptor pengeluaran debu (DWE315K)
- 1 Panduan pemotongan (DWE315K)
- 1 Mata pisau kayu Potong cepat ukuran 31 mm x 43 mm (DWE315K)
- 1 Kayu ukuran 31 mm x 43 mm dengan mata pisau paku
- 1 Mata pisau Semi bulat ukuran 100 mm (DWE315K)
- 1 Bantalan pengampelas
- 25 Potongan kertas ampelas pilihan
- 1 Mata pisau detail Kayu ukuran 9,5 mm x 43 mm (DWE315K)

- 1 Mata pisau penghilang butiran Karbida ukuran 3 mm (100 mm bulan sabit) (DWE315K)
 - 1 Mata pisau scraper kaku
 - 1 Kunci segi enam
 - 1 Kotak kit (DWE315K)
 - 1 Buku petunjuk
- Periksa kemungkinan adanya kerusakan pada alat, komponen, atau aksesoris yang bisa jadi terjadi selama transportasi.
 - Luangkan waktu untuk membaca seluruh isi buku petunjuk ini dan memahaminya sebelum pengoperasian.

Penjelasan (gambar 1)



PERINGATAN: Jangan pernah memodifikasi perkakas listrik atau komponennya. Ini dapat mengakibatkan kerusakan atau cedera pribadi.

- a. Pemicu kecepatan variabel
- b. Lampu kerja LED
- c. Tuas jepitan aksesoris
- d. Tombol pengunci
- e. Slot kait samping aksesoris
- f. Blok pandu potong
- g. Lengan pandu potong

TUJUAN PENGGUNAAN

Multi-perkakas pengosilasi ini dirancang untuk aplikasi pengampelasan detail yang profesional, pemotongan tengah, pemotongan sama rata, pembuangan bahan yang berlebih, dan penyiapan permukaan.

JANGAN gunakan dalam kondisi basah atau di dekat cairan atau gas mudah terbakar.

Multi-perkakas pengosilasi ini adalah perkakas listrik profesional.

JANGAN BIARKAN anak-anak bersentuhan dengan perkakas ini. Dibutuhkan pengawasan bila perkakas ini digunakan oleh operator yang belum berpengalaman.

- Produk ini tidak ditujukan untuk penggunaan oleh orang (termasuk anak-anak) yang menderita kekurangan kemampuan fisik, sensorik, atau mental; kurang pengalaman, pengetahuan, atau keahlian, kecuali apabila mereka diawasi oleh orang yang bertanggung jawab atas keselamatan mereka. Jangan pernah meninggalkan anak-anak sendirian dengan produk ini.

Keselamatan Kelistrikan

Motor listrik dirancang hanya untuk satu voltase. Selalu periksa apakah catu daya sesuai dengan nilai tegangan yang tercantum pada papan nilai.



Perkakas DEWALT Anda sudah diinsulasi ganda sesuai EN 60745; karena itu, tidak membutuhkan kabel yang dibumikan.



PERINGATAN: Unit 115 V harus dioperasikan melalui trafo pengisolasi bebas-gagal dengan tabir bumi antara lilitan primer dan sekunder.

Bila kabel suplai rusak, harus diganti dengan kabel khusus yang disediakan oleh organisasi layanan DEWALT.

Menggunakan Kabel Ekstensi

Jika dibutuhkan kabel sambungan, gunakan kabel sambungan 3-inti yang disetujui dan sesuai untuk masukan daya perkakas ini (baca **Data Teknis**). Ukuran konduktor minimum 1,5 mm²; panjang maksimum 30 m.

Bila menggunakan gulungan kabel, selalu ulur kabel sepenuhnya.

PERAKITAN DAN PENYESUAIAN



PERINGATAN: Untuk mengurangi risiko cedera, matikan unit dan lepas sambungan mesin dari sumber listrik sebelum memasang dan melepas aksesoris, sebelum menyesuaikan atau mengubah pengaturan, maupun saat melakukan perbaikan. Pastikan sakelar pemicu berada pada posisi OFF. Perkakas yang mendadak menyala dapat mengakibatkan cedera.



PERINGATAN: Risiko lecet atau terbakar. Jangan sentuh benda kerja atau mata pisau segera setelah selesai mengoperasikan perkakas. Keduanya bisa jadi sangat panas. Operasikan dengan hati-hati. Selalu biarkan aksesoris dan benda kerja mendingin sebelum dioperasikan.

Memasang/Melepas Aksesoris (gbr. 2–6)

JEPITAN AKSESORI BEBAS-PERKAKAS (GBR. 2–4)

DWE315 memiliki fitur sistem ganti cepat aksesoris. Fitur ini memungkinkan penggantian aksesoris lebih cepat tanpa harus menggunakan kunci pas atau kunci segi enam seperti sistem perkakas pengosilasi lainnya.

1. Genggam perkakas dan tekan tuas penjepit aksesoris (c) seperti yang ditunjukkan dalam gambar 2.
2. Bersihkan sisa-sisa serpihan dari poros perkakas dan penahan aksesoris.
3. Geser aksesoris antara poros (h) dan penahan aksesoris yang memastikan aksesoris mengikat ke-8 pin di penahan dan sama rata dengan poros. Pastikan aksesoris diorientasikan seperti yang ditunjukkan dalam Gambar 3.
4. Lepaskan tuas jepitan aksesoris.

CATATAN: Beberapa aksesoris, seperti scraper dan mata pisau bisa dipasang pada sebuah sudut jika diperlukan seperti ditunjukkan dalam gambar 4.

MEMASANG/MELEPAS KERTAS AMPELAS (GBR. 5)

Penggulung berbentuk berlian menggunakan pengait dan sistem pelekatan melingkar untuk memasang kertas ampelas. Penggulung tersebut memungkinkan Anda menggunakannya di permukaan rata yang besar dan titik atau sudut yang sempit.

1. Pasang penggulung pengampelas (i) seperti yang dijelaskan dalam bagian **Memasang/Melepas Aksesoris**.
2. Selaraskan tepian kertas ampelas, dengan tepian penggulung pengampelas dan tekan kertas ampelas (j) ke penggulung.
3. Tekan kuat-kuat bagian bawah dengan kertas ampelas yang dipasangkan pada permukaan rata dan perlahan-lahan nyalakan perkakas. Ini memberikan perlekatan yang bagus antara penggulung dan kertas ampelas dan juga membantu mencegah keausan dini.
4. Saat bagian ujung kertas ampelas menjadi aus, lepas kertas tersebut dari penggulung, putar dan pasang kembali.

MEMASANG AKSESORI MENGGUNAKAN ADAPTOR UNIVERSAL (GBR. 6)



PERHATIAN: Untuk menghindari cedera, jangan gunakan aksesoris apa pun untuk aplikasi dengan kemungkinan adaptor tersebut tidak dapat menahan aksesoris.



PERHATIAN: Baca dan patuhi semua peringatan keselamatan pabrik untuk aksesoris yang digunakan dengan perkakas ini.



PERHATIAN: Untuk menghindari cedera, pastikan adaptor dan aksesoris dikencangkan secara aman.

Aksesoris bukan dari DeWALT bisa dipasang menggunakan adaptor universal.

1. Pasang ring (k) di perkakas.
2. Pasang aksesoris di ring.
3. Kencangkan dan amankan baut adaptor (l) menggunakan kunci segi enam (p).

Memasang Pandu Potong (gbr. 7–12)

Pandu kedalaman/potong memungkinkan Anda memotong material dengan tepat pada kedalaman yang ditentukan dan melacak garis potong yang ditandai secara lebih akurat.

1. Pasang blok pandu potong (f) dengan menyisipkan tab aksesoris (m) di pandu ke dalam slot pasang samping aksesoris (e) di bodi utama perkakas.
2. Kencangkan blok ke bodi utama dengan mur (o) dan ring (u) yang disediakan. Kencangkan dengan kunci segi enam (p) yang disediakan.

PANDU KEDALAMAN

Fitur ini memungkinkan Anda memotong material dengan tepat pada kedalaman yang ditentukan.

1. Sisipkan lengan pandu (g) seperti yang ditunjukkan dalam gambar 8 ke dalam slot depan di blok pandu (f).
2. Sesuaikan panjang pandu dengan menarik atau menekan untuk mencapai kedalaman potong yang diinginkan seperti ditunjukkan dalam gambar 9.
3. Kencangkan pandu yang telah terpasang dengan memutar kenop penyesuaian kedalaman/potong (n) searah jarum jam. Untuk melepas pandu, putar kenop penyesuaian kedalaman/potong berlawanan arah jarum jam.

PANDU POTONG

Fitur ini memungkinkan Anda melacak garis potong yang ditandai secara lebih akurat.

1. Sisipkan lengan pandu (g) seperti yang ditunjukkan dalam gambar 10 ke dalam slot di sisi kiri dan kanan blok pandu (f).
2. Sesuaikan panjang pandu dengan menarik atau menekan untuk mencapai panjang potong yang diinginkan seperti ditunjukkan dalam gambar 11.
3. Kencangkan pandu yang telah terpasang dengan memutar kenop penyesuaian kedalaman/potong (n) searah jarum jam. Untuk melepas pandu, putar kenop penyesuaian kedalaman/potong berlawanan arah jarum jam.

CATATAN: Lengan pandu juga bisa dipasang di rakitan pengaman secara vertikal agar bisa mengatur tinggi pemotongan. Lihat gambar 12.

Memasang Adaptor Pengeluar Debu (gbr. 16)

Adaptor Pengeluar Debu memungkinkan Anda menyambungkan perkakas dengan pengeluar debu eksternal, baik menggunakan sistem AirLock™ (DWV9000-XJ) atau pengepas pengeluar debu standar ukuran 35 mm.

1. Pasang adaptor pengeluar debu (q) dengan menyisipkan tab (m) ke dalam slot pasang samping aksesoris (e).
2. Sisipkan sekrup (o) dan ring (u) ke dalam adaptor pengeluar debu (q) dan kencangkan dengan kunci segi enam yang disediakan (p).

PENGOPERASIAN

Petunjuk Penggunaan (gbr. 13, 14)



PERINGATAN: Selalu patuhi petunjuk keselamatan dan peraturan yang berlaku.



PERINGATAN: Untuk mengurangi risiko cedera pribadi yang berat, matikan perkakas dan lepaskan dari sumber listrik sebelum melakukan penyesuaian apa pun atau melepaskan/memasang pelengkap atau aksesoris.



PERINGATAN: Pastikan sakelar sepenuhnya di posisi OFF sebelum mencolokkan kabel daya.

1. Colokkan kabel daya.
2. Untuk MENYALAKAN perkakas, tahan perkakas seperti ditunjukkan dalam gambar 13 dan tekan pemicu kecepatan variabel (a).

CATATAN: Makin dalam sakelar pemicu ditekan, makin cepat perkakas akan beroperasi. Jika merasa ragu mengenai kecepatan yang sesuai untuk pengoperasian Anda, uji kinerja pada kecepatan rendah dan tingkatkan secara perlahan-lahan hingga kecepatan yang nyaman tercapai.

3. Untuk MEMATIKAN perkakas, lepaskan pemicu kecepatan variabel (a).

Tombol Pengunci (gbr. 14)

Agar lebih nyaman saat digunakan dalam waktu yang lama, tombol pengunci (d) dapat mengunci pemicu (a) di posisi yang ditekan.

Lampu Kerja LED (gbr. 15)

Lampu kerja LED (b) akan aktif saat pemicu ditekan.

Posisi Tangan yang Benar (gbr. 13)



PERINGATAN: Untuk mengurangi risiko cedera diri yang serius, **SELALU** gunakan posisi tangan yang tepat sesuai petunjuk gambar.



PERINGATAN: Untuk mengurangi risiko cedera diri yang serius, **SELALU** pegang dengan erat untuk mengantisipasi reaksi mendadak.

Posisi tangan yang benar mengharuskan perkakas dipegang seperti yang ditunjukkan dalam Gambar 13.

Menggunakan Adaptor Pengeluar Debu dengan Penggulung Pengampelas (gbr. 17)

1. Pasang adaptor pengeluar debu (q). Lihat **Memasang Adaptor Pengeluar Debu**.

2. Pasang penggulung pengampelas (i) seperti yang dijelaskan dalam bagian **Memasang/Melepas Aksesoris**.
3. Pasang kertas ampelas seperti yang dijelaskan di bagian **Memasang/Melepas kertas ampelas**.

Menggunakan Adaptor Pengeluar Debu dengan Aksesoris Pemotong Tengah (gbr. 18)

1. Pasang adaptor pengeluar debu. Lihat **Memasang Adaptor Pengeluar Debu**.
2. Pasang lengan pengeluar debu (s) di bagian bukaan bawah adaptor pengeluar debu (q).
3. Pasang mata bor pemotong tengah seperti yang dijelaskan dalam bagian **Memasang/Melepas Aksesoris**.
4. Sesuaikan lengan pengeluar debu (s) untuk hasil terbaik.

Petunjuk Berguna

- Selalu pastikan benda kerja dipegang atau dijepit kuat-kuat untuk mencegah pergerakan. Pergerakan apa pun dari material bisa memengaruhi kualitas hasil akhir pemotongan atau pengampelasan.
- Jangan mulai mengampelas tanpa memasang kertas ampelas di penggulung pengampelas.
- Gunakan kertas butiran pasir kasar untuk mengampelas permukaan yang kasar, butiran sedang untuk permukaan halus, dan butiran lembut untuk permukaan hasil akhir. Jika perlu, uji terlebih dahulu di material sisa.
- Tekanan yang berlebihan akan mengurangi efisiensi kerja dan menyebabkan motor kelebihan beban. Mengganti aksesoris secara teratur akan menjaga efisiensi kerja optimum.
- Jangan biarkan kertas ampelas terkikis, karena akan merusak bantalan pengampelas.
- Jika perkakas mengalami panas berlebih, terutama saat digunakan pada kecepatan rendah, atur kecepatan ke kecepatan maksimum dan jalankan tanpa beban selama 2-3 menit untuk mendinginkan motor. Hindari penggunaan dalam waktu lama pada kecepatan yang sangat rendah. Selalu jaga agar mata pisau tetap tajam.

PERAWATAN

Perkakas listrik DEWALT Anda telah dirancang untuk penggunaan jangka panjang dengan pemeliharaan yang minimal. Kelanjutan hasil pengoperasian yang memuaskan tergantung pada pemeliharaan perkakas yang benar serta pembersihan yang teratur.



PERINGATAN: Untuk mengurangi risiko cedera, matikan unit dan lepaskan mesin dari sumber listrik sebelum memasang dan melepaskan aksesoris, sebelum menyesuaikan atau mengubah pengaturan, maupun saat melakukan perbaikan. Pastikan sakelar pemacu berada pada posisi OFF. Perkakas yang mendadak menyala dapat mengakibatkan cedera.



Pelumas

Alat listrik Anda tidak membutuhkan pelumas tambahan.



Pembersihan



PERINGATAN: Semprot ke luar kotoran dan debu pada bodi utama dengan udara kering sesering mungkin saat kotoran terlihat mengendap di dalam dan di sekitar ventilasi udara. Gunakan pelindung mata yang sesuai dan masker debu yang sesuai bilamana mengerjakan prosedur ini.



PERINGATAN: Jangan gunakan pelarut atau bahan kimia keras lainnya untuk membersihkan bagian alat yang tidak terbuat dari logam. Zat-zat kimia tersebut dapat merusakkan material komponen-komponen ini. Gunakan kain yang dilembapkan hanya dengan air dan sabun yang lembut. Jangan sampai bagian dalam alat kemasukan air; jangan pernah rendam komponen alat dalam cairan.

Aksesoris Opsional



PERINGATAN: Berhubung aksesoris-aksesoris lain, di luar yang disediakan oleh DEWALT, belum diuji coba menggunakan produk ini, maka penggunaan aksesoris semacam itu dengan perkakas ini dapat berbahaya. Untuk mengurangi risiko cedera, gunakan hanya aksesoris DEWALT yang disarankan dengan produk ini.

Tanyakan kepada dealer Anda untuk informasi selengkapnya seputar aksesoris yang sesuai.

AKSESORI YANG KOMPATIBEL

Bantalan pengampelas pengosilasi

Kayu pengosilasi dengan mata pisau paku

Kayu pengosilasi titanium lebar dengan mata pisau paku

Mata pisau kayu keras pengosilasi

Mata pisau kayu potong cepat pengosilasi

Mata pisau kayu potong cepat pengosilasi lebar

Mata pisau detail kayu pengosilasi

Mata pisau logam titanium pengosilasi

Mata pisau semi bulat pengosilasi

Mata pisau semi bulat titanium pengosilasi

Mata pisau potong sama rata pengosilasi

Mata pisau potong sama rata pengosilasi titanium

Mata pisau multi bahan pengosilasi

Mata pisau scraper kaku pengosilasi

Mata pisau scraper fleksibel pengosilasi

Mata pisau penghilang butiran karbida pengosilasi

Mata pisau penghilang butiran karbida potong cepat pengosilasi

Butiran karbida pengosilasi

Melindungi Lingkungan



Pengumpulan terpisah. Produk ini tidak boleh dibuang bersama limbah rumah tangga biasa.

Apabila suatu hari produk DEWALT Anda perlu diganti atau sudah tidak Anda gunakan lagi, jangan buang produk tersebut bersama sampah rumah tangga. Pisahkan pengumpulan produk ini.



Pengumpulan produk dan kemasan bekas secara terpisah memungkinkan material untuk didaur ulang dan digunakan lagi. Penggunaan kembali bahan yang didaur ulang membantu mencegah pencemaran lingkungan dan mengurangi kebutuhan bahan baku.

Undang-undang setempat mungkin memfasilitasi pengumpulan produk-produk elektrik terpisah dari sampah rumah tangga, di tempat pembuangan sampah kota atau oleh pedagang ritel pada saat Anda membeli produk baru.

DEWALT menyediakan fasilitas pengumpulan dan pendaurulangan produk-produk DEWALT setelah masa pakainya habis. Untuk memanfaatkan layanan ini, harap kembalikan produk Anda kepada agen reparasi resmi yang akan mengumpulkannya atas nama kami.

Anda dapat menemukan lokasi agen reparasi resmi terdekat dengan Anda dengan menghubungi kantor DEWALT setempat di alamat yang tercantum pada buku petunjuk ini. Alternatif lainnya, Anda dapat melihat daftar agen reparasi DEWALT resmi dan detail lengkap layanan purna jual serta kontak kami yang tersedia di Internet, di:

www.2helpU.com.

PEMECAHAN MASALAH

| MASALAH | KEMUNGKINAN PENYEBAB | PENYELESAIAN YANG MUNGKIN |
|-------------------------|------------------------------|--|
| Unit tidak mau menyala. | Kabel tidak bisa dicolokkan. | Colokkan perkakas ke stopkontak yang berfungsi. |
| | Sekring sirkuit meledak. | Ganti sekring sirkuit. (Jika produk berulang kali membuat sekring sirkuit meledak, segera hentikan penggunaan dan minta agar diservis oleh teknisi resmi DEWALT.) |
| | Pemutus sirkuit terlepas. | Atur ulang pemutus sirkuit. (Jika produk berulang kali membuat pemutus sirkuit terlepas, segera hentikan penggunaan dan minta diservis oleh teknisi resmi DEWALT.) |
| | Kabel atau sakelar rusak. | Mintalah kabel atau sakelar agar diganti oleh teknisi resmi DEWALT. |

เครื่องมืออเนกประสงค์ DWE315

ขอแสดงความยินดี!

คุณได้เลือกใช้เครื่องมือจาก DEWALT ด้วยประสบการณ์ที่ยาวนานหลายปี ตลอดจนการพัฒนาผลิตภัณฑ์และนวัตกรรมใหม่ๆ ทำให้ DEWALT เป็นหนึ่งในเครื่องมือไฟฟ้าที่น่าเชื่อถือที่สุดสำหรับกลุ่มผู้ใช้เครื่องมือไฟฟ้าระดับมืออาชีพ

ข้อมูลด้านเทคนิค

| | | DWE315 |
|------------------|---------------------|---------|
| แรงดันไฟฟ้า | V_{AC} | 220-240 |
| กำลังไฟเข้า | วัตต์ | 300 |
| กำลังไฟออก | วัตต์ | 170 |
| ความถี่ในการสั่น | นาที่ ⁻¹ | 0–22000 |
| มุมในการสั่น | | 1.6° |
| น้ำหนัก | กก. | 1.5 |

คำจำกัดความ: ข้อแนะนำด้านความปลอดภัย

คำจำกัดความด้านล่างอธิบายถึงระดับความรุนแรงของค่าแต่ละค่าที่ใช้เรียกสัญลักษณ์ต่างๆ โปรดอ่านคู่มือและใส่ให้กับสัญลักษณ์เหล่านี้



อันตราย: หมายถึงสถานการณ์ที่ก่อให้เกิดอันตรายได้อย่างฉับพลัน ซึ่งหากไม่ระวังจะทำให้เสียชีวิตหรือบาดเจ็บสาหัสได้



คำเตือน: หมายถึงสถานการณ์ที่มีแนวโน้มว่าจะก่อให้เกิดอันตราย ซึ่งหากไม่ระวังสามารถทำให้เกิดอันตรายถึงชีวิตหรือบาดเจ็บสาหัสได้



ข้อควรระวัง: หมายถึงสถานการณ์ที่มีแนวโน้มว่าจะก่อให้เกิดอันตราย ซึ่งหากไม่ระวัง อาจทำให้ได้รับบาดเจ็บเล็กน้อยถึงปานกลาง

ข้อสังเกต: หมายถึงการปฏิบัติที่ไม่เกี่ยวข้องกับการบาดเจ็บส่วนบุคคล ซึ่งหากไม่ระวัง อาจทำให้ทรัพย์สินเสียหาย



แสดงถึงความเสี่ยงจากการถูกไฟฟ้าช็อต



แสดงถึงความเสี่ยงจากการเกิดเพลิงไหม้



คำเตือน: เพื่อลดความเสี่ยงจากการบาดเจ็บ โปรดอ่านคู่มือการใช้งานเล่มนี้

คำเตือนเพื่อความปลอดภัยทั่วไป

สำหรับการใช้เครื่องมือไฟฟ้า



คำเตือน โปรดอ่านคำเตือนและข้อปฏิบัติเพื่อความปลอดภัยทั้งหมด
การไม่ปฏิบัติตามคำเตือนและข้อปฏิบัติเหล่านี้ อาจทำให้เกิดไฟฟ้าช็อต เกิดอัคคีภัย และ/หรือบาดเจ็บสาหัสได้

โปรดเก็บรักษาคำเตือนและข้อปฏิบัติทั้งหมดไว้เพื่อใช้อ้างอิงในภายหลัง

คำว่า “เครื่องมือไฟฟ้า” ในคำเตือน หมายถึง เครื่องมือไฟฟ้า (แบบมีสาย) ที่ทำงานผ่านแหล่งจ่ายไฟหลัก หรือ เครื่องมือไฟฟ้า (แบบไร้สาย) ที่ทำงานผ่านแบตเตอรี่

1) ความปลอดภัยในบริเวณที่ทำงาน

- รักษาความสะอาดและจัดให้มีแสงสว่างเพียงพอในบริเวณที่ทำงาน** บริเวณที่มืดหรือมีช่องว่างระเกะระกะอาจทำให้เกิดอุบัติเหตุได้
- ห้ามใช้เครื่องมือไฟฟ้าในบริเวณที่อาจเกิดการระเบิด เช่น ในสถานที่ที่มีของเหลวแก๊ส หรือฝุ่นละอองที่มีคุณสมบัติไวไฟ** เครื่องมือไฟฟ้าจะทำให้เกิดประกายไฟที่อาจทำให้เกิดละอองไฟหรือเปลวไฟขึ้นได้
- ระวังไม่ให้เด็กเล็กและคนเดินผ่านไปมาเข้าใกล้ในขณะที่ใช้งานเครื่องมือไฟฟ้า** สิ่งรอบกวนอาจทำให้คุณเสียสมาธิได้

2) ความปลอดภัยทางไฟฟ้า

- ปลั๊กไฟของเครื่องต้องเป็นชนิดเดียวกับเต้ารับ ห้ามตัดแปลงปลั๊กไฟด้วยวิธีใด ห้ามใช้ปลั๊กอะแดปเตอร์ใด ๆ กับเครื่องมือไฟฟ้าที่ต่อสายดิน (ลงกราวด์) ปลั๊กที่ไม่มีการดัดแปลงและเต้ารับชนิดเดียวกันจะช่วยลดความเสี่ยงจากการเกิดไฟฟ้าช็อต**
- หลีกเลี่ยงการสัมผัสพื้นผิวที่ต่อสายดินหรือลงกราวด์ เช่น ท่อ หม้อน้ำ เตาหุงต้ม และตู้เย็น** มีความเสี่ยงเพิ่มขึ้นที่จะเกิดไฟฟ้าช็อต หากร่างกายเป็นสื่อเชื่อมต่อกับดินหรือลงกราวด์
- อย่าให้เครื่องมือไฟฟ้าถูกฝนหรืออยู่ในสภาพที่เปียกชื้น** น้ำที่เข้าเครื่องมือไฟฟ้าจะเพิ่มความเสี่ยงในการเกิดไฟฟ้าช็อต
- ห้ามใช้สายไฟผิดวัตถุประสงค์ ห้ามใช้สายไฟเพื่อการหัว ตึง หรือถอดปลั๊กเครื่องมือไฟฟ้า** เก็บสายไฟให้พ้นจากความร้อน น้ำมัน ของมีคม หรือ ชิ้นส่วนที่กำลังเคลื่อนที่ สายไฟที่

ชำรุดหรือพันกันเป็นการเพิ่มความเสี่ยงต่อการเกิดไฟฟ้าช็อต

- ๑) เมื่อใช้เครื่องมือไฟฟ้านอกอาคาร ให้ใช้สายต่อพ่วงที่เหมาะสมสำหรับการใช้งานนอกอาคาร ใช้สายไฟที่เหมาะสมกับการใช้งานนอกอาคารเพื่อลดความเสี่ยงต่อการเกิดไฟฟ้าช็อต
- ๒) หากไม่สามารถหลีกเลี่ยงการใช้เครื่องมือไฟฟ้าในบริเวณที่ชื้นแฉะได้ ให้ใช้อุปกรณ์ป้องกันไฟฟ้าสะสม (RCD) ที่จัดไว้ให้ การใช้ RCD จะเป็นการลดความเสี่ยงจากการถูกไฟฟ้าช็อต

3) ความปลอดภัยส่วนบุคคล

- ๑) ตื่นตัวและมีสมาธิกับสิ่งที่คุณกำลังทำ รวมทั้งใช้สามัญสำนึกในขณะที่กำลังใช้งานเครื่องมือไฟฟ้า ห้ามใช้เครื่องมือไฟฟ้าในขณะที่คุณกำลังเหนื่อยหรือได้รับอิทธิพลจากยา แอลกอฮอล์ หรือการรักษาบางอย่าง การขาดความระมัดระวังในการใช้เครื่องมือไฟฟ้าแม้ชั่วขณะหนึ่งอาจทำให้บาดเจ็บสาหัสได้
- ๒) ใช้อุปกรณ์คุ้มครองความปลอดภัยส่วนบุคคลสวมอุปกรณ์ป้องกันดวงตาเสมอ อุปกรณ์ป้องกัน เช่น หน้ากากกันฝุ่น รองเท้านิรภัยกันดิน หมวกนิรภัย หรืออุปกรณ์ป้องกันเสียงดังที่ใช้ในสภาวะที่เหมาะสมจะช่วยลดอาการบาดเจ็บทางร่างกาย
- ๓) ป้องกันเครื่องเปิดทำงานโดยไม่ตั้งใจ สวิตช์ต้องอยู่ในตำแหน่งปิดก่อนที่จะเสียบปลั๊กของเครื่องเข้ากับแหล่งจ่ายไฟ และ/หรือแบตเตอรี่ หรือก่อนยกหรือหิ้วเครื่องมือ การยกเครื่องมือไฟฟ้าในขณะที่นิ้วอยู่ที่สวิตช์หรือใช้เครื่องมือไฟฟ้าที่สวิตช์เปิดอยู่ อาจทำให้เกิดอุบัติเหตุได้
- ๔) ถอดกุญแจปรับแต่งหรือประแจออกก่อนเปิดสวิตช์เครื่องมือไฟฟ้า ประแจหรือกุญแจที่เสียบค้างอยู่ในชิ้นส่วนที่หมุนได้ของเครื่องมือไฟฟ้า อาจทำให้ได้รับบาดเจ็บได้
- ๕) ห้ามยืนเขย่งเท้าขณะใช้เครื่อง ควรยืนในท่าที่เหมาะสมและสมดุลตลอดเวลา เพื่อช่วยในการควบคุมเครื่องมือไฟฟ้าได้ดียิ่งขึ้นในสถานการณ์ที่ไม่คาดคิด
- ๖) แต่งกายให้เหมาะสม ห้ามสวมเสื้อผ้าหลวมหรือใส่เครื่องประดับ รวบผม ขายเลื้อย และถุงมือให้ห่างจากชิ้นส่วนที่กำลังหมุน เสื้อผ้าที่หลวมหรือยาวรุ่มร่าม เครื่องประดับ หรือผมที่ยาวอาจเข้าไปพันกับชิ้นส่วนที่กำลังหมุน

- ๒) หากมีอุปกรณ์สำหรับตัดและเก็บฝุ่น ต้องตรวจสอบให้แน่ใจว่าได้เชื่อมต่อและใช้งานอุปกรณ์นั้นอย่างเหมาะสม การใช้อุปกรณ์เก็บฝุ่นจะช่วยลดอันตรายที่เกี่ยวข้องกับฝุ่นได้

4) การใช้และการดูแลรักษาเครื่องมือไฟฟ้า

- ๑) ห้ามฝืนใช้เครื่องมือไฟฟ้า เลือกใช้เครื่องมือไฟฟ้าที่ถูกต้องตรงกับลักษณะการใช้งานของคุณ เครื่องมือไฟฟ้าที่ถูกต้องย่อมทำงานได้ดีกว่าและปลอดภัยกว่า เมื่อใช้งานตามพิกัดที่เครื่องมือได้รับการออกแบบมา
- ๒) ห้ามใช้เครื่องมือไฟฟ้าถ้าสวิตช์เปิดปิดเครื่องไม่ทำงาน เครื่องมือไฟฟ้าที่ไม่สามารถควบคุมผ่านสวิตช์ได้ มีอันตรายและต้องส่งซ่อม
- ๓) ถอดปลั๊กของเครื่องมือไฟฟ้าก่อนทำการปรับจ่ายไฟ และ/หรือ แบตเตอรี่ก่อนทำการปรับแต่ง เปลี่ยนอุปกรณ์เสริม หรือจัดเก็บมาตรการเพื่อความปลอดภัยเชิงป้องกันนี้จะช่วยลดความเสี่ยงในการไหลเปิดเครื่องให้ทำงานโดยไม่ตั้งใจ
- ๔) เก็บเครื่องมือไฟฟ้าที่ไม่ได้ใช้งานไว้ให้พ้นมือเด็ก และไม่อนุญาตให้บุคคลที่ไม่คุ้นเคยกับเครื่องมือไฟฟ้าหรือข้อปฏิบัติเหล่านี้เป็นผู้ใช้เครื่องมือ เครื่องมือไฟฟ้าจะเป็นอันตรายหากอยู่ในมือผู้ใช้ที่ไม่มีประสบการณ์
- ๕) บำรุงรักษาเครื่องมือไฟฟ้า ตรวจสอบว่าชิ้นส่วนที่เคลื่อนที่ได้มีการวางไม่ตรงแนวหรือติดขัดหรือไม่ มีชิ้นส่วนที่แตกหัก และสภาพอื่นใดที่อาจส่งผลกระทบต่อการทำงานของเครื่องมือไฟฟ้าหรือไม่ หากชำรุดเสียหายให้นำเครื่องมือไปส่งซ่อมก่อนนำมาใช้ อุบัติเหตุจำนวนมากเกิดจากการดูแลรักษาเครื่องมือไฟฟ้าไม่ดีพอ
- ๖) เครื่องมือตัดต้องคมและสะอาดอยู่เสมอ เครื่องมือตัดที่ได้รับการดูแลรักษาอย่างถูกต้องและมีขอบตัดคม จะมีปัญหาติดขัดน้อย และควบคุมได้ง่ายกว่า
- ๗) ใช้เครื่องมือไฟฟ้า อุปกรณ์เสริม และดอกสว่านหรือใบมีดของเครื่องมือ เป็นต้น ให้ตรงตามข้อปฏิบัติเหล่านี้ โดยพิจารณาถึงสภาพการทำงานและงานที่ท่านเป็นสำคัญ การใช้เครื่องมือไฟฟ้าทำงานอื่นนอกเหนือจากที่กำหนดไว้อาจทำให้เกิดอันตรายได้

5) การบริการ

- ๑) ให้ช่างซ่อมที่มีความเชี่ยวชาญเป็นผู้ซ่อมเครื่องมือ และใช้อะไหล่แท้เท่านั้น ซึ่งจะช่วยรับประกันได้ว่าเครื่องมือไฟฟ้ายังมีความปลอดภัยอยู่

กฎความปลอดภัยเพิ่มเติม สำหรับเครื่องมืออิเล็กทรอนิกส์



คำเตือน: ให้ความระมัดระวังเป็นพิเศษเมื่อขีดไม้ (เช่น ไม้ขีด ไม้ไอศ) และโลหะบางชนิด ซึ่งอาจก่อให้เกิดฝุ่นที่เป็นพิษได้ให้สวมหน้ากากกันฝุ่นที่ออกแบบมาเป็นพิเศษสำหรับการป้องกันฝุ่นและควัน และต้องแน่ใจว่าผู้ที่อยู่ภายในพื้นที่ทำงาน หรือกำลังเข้าไปในพื้นที่ทำงานมีการป้องกันด้วยเช่นกัน



คำเตือน: ใช้เครื่องมือนี้ในบริเวณที่มีการระบายอากาศเป็นอย่างดีเมื่อขีดโลหะประเภทเหล็ก ห้ามใช้งานเครื่องมือใกล้ของเหลวไวไฟ แก๊ส หรือฝุ่นละอองประกายไฟหรือเศษชิ้นส่วนที่ร้อนจากการขีดหรือการอาร์กกระหว่างแปรงถ่านกับมอเตอร์อาจทำให้วัสดุที่ติดไฟได้ลุกไหม้ได้

การขจัดลิ



คำเตือน: ทำตามข้อกำหนดที่บังคับใช้สำหรับการขจัดลิ ให้ความใส่ใจเป็นพิเศษกับสิ่งที่ต่อไปนี้:

- ทุกครั้งที่เป็นไปได้ ให้ใช้เครื่องดูดฝุ่นสุญญากาศสำหรับการเก็บฝุ่น
- ให้ความระมัดระวังเป็นพิเศษเมื่อขจัดลิซึ่งอาจมีส่วนผสมของตะกั่ว:
 - อย่านำเด็กหรือสตรีมีครรภ์เข้าไปในพื้นที่ทำงาน
 - ทุกคนที่เข้าไปในพื้นที่ทำงานจะต้องสวมหน้ากากที่ออกแบบเป็นพิเศษสำหรับป้องกันฝุ่นและควันจากสิที่มีสารตะกั่ว
 - อย่านำประทานอาหาร ดื่มน้ำ หรือสูบบุหรี่ในพื้นที่ทำงาน
- กำจัดเศษฝุ่นและเศษสิ่งอื่นใดในภาชนะที่ปลอดภัย
- **จับเครื่องมือที่พื้นผิวส่วนที่ใช้จับซึ่งมีฉนวนป้องกัน ในขณะที่ใช้งานเครื่องซึ่งเครื่องมือตัดอาจสัมผัสกับสายไฟที่ซ่อนอยู่หรือสายไฟของตัวเครื่องเอง** การสัมผัสกับสายไฟ “ที่มีไฟฟ้า” จะทำให้ส่วนโลหะของเครื่องที่ถูกสัมผัส “มีไฟฟ้า” และทำให้ผู้ใช้ถูกไฟช็อตได้
- **ใช้ตัวจับชิ้นงานหรือวิธีอื่น ๆ ที่ได้ผลเพื่อยึดและทนชิ้นงานบนแท่นที่มั่นคง** การใช้มือจับหรือให้ชิ้นงานพียงกับลำตัวจะไม่มั่นคงและอาจทำให้สูญเสียการควบคุมได้

ความเสี่ยงอื่น ๆ ที่ยังมีอยู่

แม้จะปฏิบัติตามข้อกำหนดด้านความปลอดภัยที่เกี่ยวข้องและใช้อุปกรณ์นิรภัยแล้วก็ตาม แต่ก็ไม่สามารถหลีกเลี่ยงความเสี่ยงที่เหลืออยู่บางอย่างได้ ความเสี่ยงเหล่านั้นได้แก่:

- ความบกพร่องในการได้ยินเสียง
- ความเสี่ยงที่จะได้รับบาดเจ็บจากเศษชิ้นงานที่ปลิว
- ความเสี่ยงที่จะเกิดรอยไหม้เนื่องจากอุปกรณ์เสริมที่ร้อนขึ้นในระหว่างใช้งาน
- ความเสี่ยงที่จะได้รับบาดเจ็บเนื่องจากการใช้งานเป็นเวลานาน

สัญลักษณ์บนเครื่องมือ

รูปภาพต่อไปนี้จะปรากฏบนเครื่องมือ:



โปรดอ่านคู่มือแนะนำการใช้งานก่อนใช้งาน



สวมอุปกรณ์ป้องกันหู



สวมอุปกรณ์ป้องกันดวงตา



สวมอุปกรณ์ป้องกันระบบทางเดินหายใจ

ตำแหน่งของรหัสวันที่ (รูป 1)

รหัสวันที่ (t) ซึ่งรวมถึง ปีที่ผลิต จะพิมพ์ไว้บนตัวเครื่องตัวอย่างเช่น:

2013 XX XX

ปีที่ผลิต

สิ่งที่อยู่ในบรรจุภัณฑ์

ภายในบรรจุภัณฑ์ประกอบด้วย:

หัวต่อสำหรับ ไบเลื่อย ไบมีด และไบต่าง ๆ 1 หัว

หัวต่ออุปกรณ์ดูดฝุ่น (DWE315K) 1 หัว

ตัวนำตัด (DWE315K) 1 ชิ้น

ไบเลื่อยตัดไม้แบบตัดเร็ว (DWE315K)

ขนาด 31 x 43 มม. 1 ชิ้น

ไบเลื่อยตัดไม้ที่มีตะปู ขนาด 31 x 43 มม. 1 ชิ้น

ไบเลื่อยครึ่งวงกลมขนาด 100 มม. (DWE315K) 1 ชิ้น

แผ่นรองกระดาษทราย 1 ชิ้น

กระดาษทรายขนาดต่าง ๆ 25 แผ่น

ใบเลื่อยสำหรับเก็บงานไม้ (DWE315K)

ขนาด 9.5 x 43 มม. 1 ชิ้น

ใบตัดแนวปูนทำด้วยคาร์ไบด์ ขนาด 3 มม.

(เครื่องกลม 100 มม.) (DWE315K) 1 ชิ้น

ใบเหล็กชุดแบบแข็ง 1 ชิ้น

ประแจหกเหลี่ยม 1 ชิ้น

กล่องเครื่องมือ (DWE315K) 1 กล่อง

คู่มือการใช้งาน 1 เล่ม

- ตรวจสอบร่องรอยความเสียหายของเครื่องมือชิ้นส่วน หรืออุปกรณ์เสริม ที่อาจเกิดขึ้นในระหว่างการขนส่ง
- โปรดอ่านและทำความเข้าใจคู่มือเล่มนี้ก่อนการใช้งาน

คำอธิบาย (รูป 1)



คำเตือน: ห้ามปรับแต่งเครื่องมือไฟฟ้า หรือชิ้นส่วนใด ๆ โดยเด็ดขาด เพราะอาจทำให้เครื่องมือชำรุดหรือได้รับบาดเจ็บได้

- สวิตช์ปรับระดับความเร็ว
- ไฟ LED แสดงการทำงาน
- ก้านจับอุปกรณ์เสริม
- ปุ่มล๊อค
- ช่องยึดอุปกรณ์เสริมด้านข้าง
- บล็อคน้ำหนัก
- แขนน้ำหนัก

วัตถุประสงค์ในการใช้งาน

เครื่องมือเอกประสงค์นี้ออกแบบมาสำหรับการขัด เลื่อยตัด การตัดเขาระอง การตัดให้เสมอ การเอาวัสดุส่วนเกินออก และการเตรียมพื้นผิวระดับมืออาชีพ

ห้าม ใช้ในสภาพที่เปียกชื้นหรือมีของเหลวหรือแก๊สไวไฟ เครื่องมือเอกประสงค์นี้เป็นเครื่องมือไฟฟ้าสำหรับมืออาชีพ

ห้าม ปล่อยให้เด็กสัมผัสกับเครื่องมือ ผู้ใช้งานที่ไม่มีประสบการณ์มาก่อนต้องได้รับการแนะนำเมื่อจะใช้เครื่องมือนี้

- เครื่องมือนี้ไม่ได้มีไว้เพื่อการใช้งานโดยบุคคล (ซึ่งรวมถึงผู้เยาว์) ที่มีความบกพร่องทางร่างกาย การรับรู้ความรู้สึก หรือทางจิตประสาท หรือขาดประสบการณ์ ความรู้ และทักษะ เว้นเสียแต่จะได้รับการควบคุมดูแลหรือคำแนะนำการใช้เครื่องมือ

โดยผู้ที่รับผิดชอบต่อความปลอดภัยของบุคคลเหล่านั้น ห้ามปล่อยผู้เยาว์ไว้กับเครื่องมือนี้ตามลำพัง

ความปลอดภัยทางไฟฟ้า

มอเตอร์ไฟฟ้าออกแบบมาเพื่อใช้กับแรงดันไฟฟ้าขนาดเดียวกันนั้น ต้องตรวจสอบกำลังไฟเพื่อให้ตรงกับแรงดันไฟฟ้าบนแผ่นแสดงพิกัดเสมอ



เครื่องมือ DEWALT ใช้ระบบขบวนสองชั้นที่ตรงตามมาตรฐาน EN 60745 จึงไม่จำเป็นต้องใช้สายดิน



คำเตือน: กรณีอุปกรณ์ที่ใช้ไฟ 115 โวลต์ ต้องใช้งานผ่านหม้อแปลงเดี่ยวแบบมีอุปกรณ์ป้องกัน พร้อมทั้งแผ่นสายดินระหว่างขดลวดหลักกับขดลวดรอง

ถ้าสายไฟของตัวเครื่องชำรุดเสียหาย ต้องเปลี่ยนเป็นสายไฟที่จัดเตรียมมาเป็นพิเศษซึ่งสั่งซื้อได้จากศูนย์บริการของ DEWALT

การใช้สายพ่วง

ในกรณีที่เป็นต้องใช้สายพ่วง ให้ใช้สายพ่วง 3 ขั้วที่มีการรับรองและเหมาะสมกับปริมาณไฟเข้าของอุปกรณ์ (ดูที่ **ข้อมูลทางเทคนิค**) ขนาดของสายไฟฟ้าต่ำสุดคือ 1.5 มม.² ความยาวสูงสุดคือ 30 ม.

เมื่อใช้อุปกรณ์ม่วงเก็บสายไฟ ให้คลายสายไฟออกจนหมดก่อนทุกครั้ง

การประกอบและการปรับแต่ง



คำเตือน: เพื่อลดความเสี่ยงจากการบาดเจ็บ ให้ปิดเครื่องมือและถอดปลั๊กเครื่องมือออกจากแหล่งจ่ายไฟก่อนการประกอบและถอดอุปกรณ์เสริม ก่อนการปรับแต่งหรือเปลี่ยนชุดติดตั้ง หรือขณะทำการซ่อมแซม สวิตช์ปรับระดับความเร็วต้องอยู่ในตำแหน่ง "ปิด" การปลดเปิดเครื่องโดยไม่ได้ตั้งใจอาจทำให้เกิดการบาดเจ็บได้



คำเตือน: ความเสี่ยงจากผิวหนังฉีกขาดหรือไหม้ ห้ามสัมผัสชิ้นงานหรือใบเลื่อยทันทีหลังจากการใช้เครื่องมือ เนื่องจากอาจมีความร้อนสูงมาก จับด้วยความระมัดระวัง ทุกครั้งต้องปล่อยให้อุปกรณ์เสริมและชิ้นงานเย็นลงก่อนจับ

การติดตั้ง/การถอดอุปกรณ์เสริม (รูป 2–6)

ที่จับอุปกรณ์เสริมไม่ต้องใช้เครื่องมือช่วย (รูป 2–4)

DWE315 มีระบบอุปกรณ์เสริมที่เปลี่ยนได้รวดเร็ว ซึ่งจะทำให้สามารถเปลี่ยนอุปกรณ์เสริมได้เร็วขึ้น ไม่ต้องใช้ประแจหรือประแจหกเหลี่ยมเหมือนเครื่องมือเอกประสงค์เครื่องอื่น

1. จับเครื่องมือและบีบก้านจับอุปกรณ์เสริม (c) ตามที่แสดงในรูป 2
2. ขจัดเศษตกค้างใดๆ ออกจากเพลลาเครื่องมือและตัวยึดอุปกรณ์เสริม
3. เลื่อนอุปกรณ์เสริมมาอยู่ระหว่างเพลลา (h) กับตัวจับอุปกรณ์เสริม ตรวจสอบให้แน่ใจว่าอุปกรณ์เสริมจับกับสลักแปดอันที่อยู่บนตัวจับ และเสมอกับเพลลา ตรวจสอบให้แน่ใจว่าอุปกรณ์เสริมวางตัวตามที่แสดงในรูป 3
4. คลายก้านจับอุปกรณ์เสริม

หมายเหตุ: อุปกรณ์เสริมบางอย่าง เช่น เหล็กชุดและใบเลื่อยอาจติดตั้งในแนวทามุมก็ได้ถ้าจำเป็น ตามที่แสดงในรูป 4

การติดตั้ง/การถอดแผ่นกระดาษทราย (รูป 5)

เป็นรูปสามเหลี่ยมโค้งใช้ระบบการยึดด้วยตัวเกี่ยวและห่วงเพื่อติดกระดาษทรายขัด เป็นนี้ช่วยให้คุณสามารถใช้ทำงานบนพื้นผิวราบใหญ่และจุดที่แคบแน่นหรือตรงหัวมุมได้

1. ติดแผ่นกระดาษทราย (i) ตามที่อธิบายในหัวข้อ **การติดตั้ง/การถอดอุปกรณ์เสริม**
2. จัดขอบกระดาษทรายให้ตรงกับขอบของแผ่นกระดาษทราย และกดกระดาษทราย (j) ลงบนแผ่น
3. กดฐานที่มีกระดาษทรายให้ติดแน่นพื้นผิวราบอย่างมั่นคง และเปิดสวิตช์เครื่องมือชั่วคราวสั้นๆ การทำเช่นนี้จะทำให้การยึดติดระหว่างแผ่นกับกระดาษทรายดี และยังช่วยป้องกันการสึกหรอก่อนกำหนดด้วย
4. เมื่อปลายของกระดาษทรายเริ่มสึก ให้ถอดกระดาษทรายออกจากแผ่น แล้วหมุนและใส่กลับเข้าไปใหม่

การติดอุปกรณ์เสริมโดยใช้หัวต่อเนกประสงค์ (รูป 6)



ข้อควรระวัง: เพื่อหลีกเลี่ยงการบาดเจ็บ อย่าใช้อุปกรณ์เสริมใดๆ สำหรับการใช้งานที่หัวต่ออาจจับอุปกรณ์เสริมไม่อยู่



ข้อควรระวัง: อ่านและปฏิบัติตามคำแนะนำด้านความปลอดภัยของผู้ผลิตทั้งหมด สำหรับอุปกรณ์เสริมใดๆ ที่ใช้กับเครื่องมือนี้



ข้อควรระวัง: เพื่อหลีกเลี่ยงการบาดเจ็บ ตรวจสอบให้แน่ใจว่าได้ขันหัวต่อและอุปกรณ์เสริมแน่นดีแล้ว

อุปกรณ์เสริมที่ไม่ใช่ของ DEWALT สามารถนำมาใช้กับหัวต่อเนกประสงค์ได้

1. วางแหวนรอง (k) ไว้บนเครื่องมือ
2. วางอุปกรณ์บนแหวนรอง
3. ขันและยึดนอตหัวต่อ (l) ให้แน่นโดยใช้ประแจหกเหลี่ยม (p)

การติดตั้งนำตัด (รูป 7–12)

ตัวกำหนดความลึกและตัวนำตัดช่วยให้คุณตัดวัสดุให้อยู่ที่ความลึกที่ระบุและสามารถตัดตามเส้นทางที่ทำเครื่องหมายไว้ได้อย่างแม่นยำ

1. ดัดปลีค่นำตัด (f) โดยการสอดปุ่มยื่น (m) ที่อยู่บนปลีค่นำลงในช่องยึดอุปกรณ์เสริมด้านข้าง (e) ที่อยู่บนตัวเครื่อง
2. ยึดปลีค่นำเข้ากับตัวเครื่องด้วยสกรู (o) และแหวนรอง (u) ที่ให้มา ขันด้วยประแจหกเหลี่ยม (p) ที่ให้มา

ตัวกำหนดความลึก

ตัวกำหนดความลึกนี้จะช่วยให้คุณสามารถตัดวัสดุที่ความลึกที่ต้องการได้อย่างแม่นยำ

1. สอดแขนนำตัด (g) ตามที่แสดงในรูป 8 เข้าไปในรูด้านหน้าบนปลีค่นำ (f)
2. ปรับความยาวของแขนด้วยการดึงออกหรือดันเข้า เพื่อให้ได้ความลึกของการตัดที่ต้องการตามที่แสดงในรูป 9
3. ยึดแขนให้อยู่กับที่ด้วยการหมุนปุ่มปรับความลึก/การตัด (n) ตามเข็มนาฬิกา ถ้าต้องการคลายแขนให้หมุนปุ่มปรับนี้ทวนเข็มนาฬิกา

ชุดช่วยนำตัด

ชุดช่วยนำตัดนี้จะช่วยให้คุณตัดตามเส้นทางที่ทำเครื่องหมายไว้ได้อย่างแม่นยำ

1. สอดแขนนำตัด (g) ตามที่แสดงในรูป 10 เข้าไปในรูด้านซ้ายและด้านขวาของปลีค่นำ (f)
2. ปรับความยาวของแขนด้วยการดึงออกหรือดันเข้า เพื่อให้ได้ความยาวที่ต้องการตามที่แสดงในรูป 11
3. ยึดแกนให้อยู่กับที่ด้วยการหมุนปุ่มปรับความลึก/การตัด (n) ตามเข็มนาฬิกา ถ้าต้องการคลายแขนให้หมุนปุ่มปรับนี้ทวนเข็มนาฬิกา

หมายเหตุ: แขนนำตัดนี้ยังสามารถใส่ในแนวตั้งเพื่อกำหนดความสูงของการตัดได้อีกด้วย โปรดดูรูป 12

การตัดหัวต่ออุปกรณ์ดูดฝุ่น (รูป 16)

หัวต่ออุปกรณ์ดูดฝุ่นช่วยให้คุณสามารถต่อเครื่องมือเข้ากับอุปกรณ์ดูดฝุ่นได้ โดยอาจใช้ระบบ AirLock™ (DWV9000-XJ) หรือตัวยึดอุปกรณ์ดูดฝุ่นมาตรฐานขนาด 35 มม.

1. ต่อหัวต่ออุปกรณ์ดูดฝุ่น (q) โดยการสอดปุ่มยื่น (m) เข้าไปในช่องยึดอุปกรณ์เสริมด้านข้าง (e)
2. ใส่สกรู (o) และแหวนรอง (u) ลงในหัวต่ออุปกรณ์ดูดฝุ่น (q) และขันด้วยประแจหกเหลี่ยม (p) ที่ให้มา

การใช้งาน

คำแนะนำสำหรับการใช้ (รูป 13, 14)



คำเตือน: ทำตามข้อปฏิบัติเพื่อความปลอดภัยและข้อกำหนดที่ให้ไว้เสมอ



คำเตือน: เพื่อลดความเสี่ยงจากการได้รับบาดเจ็บรุนแรง ต้องปิดเครื่องมือและถอดปลั๊กเครื่องมือออกจากแหล่งจ่ายไฟ ก่อนทำการปรับตั้ง หรือก่อนการถอด/ติดตั้งอุปกรณ์ยึดติดหรืออุปกรณ์เสริมใดๆ ทุกครั้ง



คำเตือน: ตรวจสอบให้แน่ใจว่าได้ปิดสวิตช์เรียบร้อยแล้วก่อนเสียบสายไฟ

1. เสียบสายไฟ
2. เปิดสวิตช์เครื่องมือ จับเครื่องมือตามที่แสดงในรูป 13 และกดสวิตช์ปรับระดับความเร็ว (a)

หมายเหตุ: ยิ่งกดสวิตช์ปรับระดับความเร็วลึกเท่าใด เครื่องมือก็จะมีความเร็วขึ้นเท่านั้น ถ้าไม่แน่ใจว่าความเร็วที่เหมาะสมสำหรับการใช้งานของคุณเป็นเท่าใด ให้ทดสอบการทำงานที่ความเร็วต่ำก่อน แล้วค่อยๆ เพิ่มความเร็วจนกระทั่งได้ความเร็วที่เหมาะสม

3. เมื่อต้องการปิดเครื่อง ให้ปล่อยสวิตช์ปรับระดับความเร็ว (a)

ปุ่มลัด (รูป 14)

เพื่อให้สบายขึ้นในการใช้งานเป็นเวลานานๆ ปุ่มลัด (d) สามารถลัดสวิตช์ปรับระดับความเร็ว (a) ให้อยู่ในตำแหน่งถูกกดตลอดได้

ไฟ LED แสดงการทำงาน (รูป 15)

ไฟ LED แสดงการทำงาน (b) จะสว่างเมื่อสวิตช์ถูกกด

ตำแหน่งการจับที่เหมาะสม (รูป 13)



คำเตือน: เพื่อลดความเสี่ยงจากการได้รับบาดเจ็บสาหัส ให้จับเครื่องมือในตำแหน่งที่เหมาะสมดังแสดงในภาพเสมอ



คำเตือน: เพื่อลดความเสี่ยงจากการได้รับบาดเจ็บสาหัส จะต้องจับเครื่องมือให้แน่นทุกครั้ง เพื่อเตรียมรับมือหากเกิดการตอบสนองขึ้นแบบทันทีทันใด

ตำแหน่งการจับที่เหมาะสมจะต้องจับเครื่องมือตามที่แสดงในรูป 13

การใช้หัวต่ออุปกรณ์ดูดฝุ่นกับแป้นกระดาษทราย (รูป 17)

1. ติดหัวต่ออุปกรณ์ดูดฝุ่น (q) โปรดดู **การติดหัวต่ออุปกรณ์ดูดฝุ่น**
2. ติดแป้นกระดาษทราย (i) ตามที่อธิบายในหัวข้อ **การติดตั้ง/การถอดอุปกรณ์เสริม**
3. ติดกระดาษทรายตามที่อธิบายใน **การติดตั้ง/การถอดกระดาษทราย**

การใช้หัวต่ออุปกรณ์ดูดฝุ่นกับอุปกรณ์ตัดเขาระ่อง (รูป 18)

1. ติดหัวต่ออุปกรณ์ดูดฝุ่น โปรดดู **การติดหัวต่ออุปกรณ์ดูดฝุ่น**
2. ดันแขนดูดฝุ่น (s) เข้าไปในรูด้านล่างของหัวต่ออุปกรณ์ดูดฝุ่น (q)
3. ดัดดอกสว่านเขาระ่องตามที่อธิบายในหัวข้อ **การติดตั้ง/การถอดอุปกรณ์เสริม**
4. ปรับแขนดูดฝุ่น (s) เพื่อให้ได้ผลลัพธ์ที่ดีที่สุด

ข้อแนะนำที่มีประโยชน์

- ทุกครั้งจะต้องตรวจสอบให้แน่ใจว่าจับหรือหนีบชิ้นงานอย่างมั่นคงแล้ว เพื่อป้องกันการเคลื่อน การเคลื่อนใด ๆ ของชิ้นงานอาจส่งผลต่อคุณภาพของการตัดหรือการขัด
- อย่าเริ่มการขัดโดยไม่มีกระดาษทรายติดกับแป้นกระดาษทราย

- ใช้กระดาษทรายเบอร์หยาบขัดพื้นผิวขรุขระ เบอร์ปานกลางขัดพื้นผิวเรียบ และเบอร์ละเอียดสำหรับ การขัดผิว ถ้าจำเป็น ให้ทดสอบบนเศษวัสดุก่อน
- การออกแรงมากเกินไปจะลดประสิทธิภาพการทำงาน และทำให้มอเตอร์ทำงานเกินกำลัง การเปลี่ยนอุปกรณ์เสริมอย่างสม่ำเสมอจะช่วยรักษา ประสิทธิภาพของการทำงานให้เหมาะสมที่สุด
- อย่าปล่อยให้กระดาษทรายสึกหมด เพราะจะทำให้ เป็นกระดาษทรายชำรุดเสียหายได้
- ถ้าเครื่องมือมีความร้อนเกิน โดยเฉพาะเมื่อใช้ที่ ความเร็วต่ำ ให้ตั้งค่าความเร็วเป็นสูงสุด และปล่อยให้ทำงานโดยไม่มีโหลดสัก 2-3 นาที เพื่อระบาย ความร้อนมอเตอร์ หลีกเลี่ยงการใช้งานนาน ๆ ที่ ความเร็วต่ำมาก รักษาใบเลื่อยให้คมอยู่เสมอ

การบำรุงรักษา

เครื่องมือไฟฟ้า DEWALT ออกแบบมาเพื่อให้สามารถ ใช้งานได้อย่างยาวนานต่อเนื่องด้วยการบำรุงรักษาน้อย ที่สุด การทำงานที่สร้างความพึงพอใจอย่างต่อเนื่องจะ ขึ้นอยู่กับการดูแลรักษาที่เหมาะสมและการทำความสะอาดอย่างสม่ำเสมอ



คำเตือน: เพื่อลดความเสี่ยงจากการ บาดเจ็บ ให้ปิดเครื่องมือและถอดปลั๊ก เครื่องมือออกจากแหล่งจ่ายไฟ

ก่อนการประกอบและถอดอุปกรณ์เสริม ก่อนการปรับแต่งหรือเปลี่ยนชุดติดตั้ง หรือขณะทำการซ่อมแซม สวิตช์ปรับ ระดับความเร็วต้องอยู่ในตำแหน่ง "ปิด" การผลเปิดเครื่องโดยไม่ได้ตั้งใจอาจ ทำให้เกิดการบาดเจ็บได้



การหล่อลื่น

ไม่ต้องใช้สารหล่อลื่นเพิ่มเติมกับเครื่องมือไฟฟ้านี้



การทำความสะอาด



คำเตือน: เป่าสิ่งสกปรกและฝุ่นละออง ที่สะสมออกจากตัวเครื่องเป็นประจำด้วย ลมแห้ง เนื่องจากสิ่งสกปรกมักจะสะสมอยู่ ภายในและรอบ ๆ ช่องระบายอากาศ สวมอุปกรณ์ป้องกันดวงตาและหน้ากาก

กันฝุ่นที่ได้มาตรฐานในขณะที่ดำเนินการ ขั้นตอนนี้



คำเตือน: ห้ามใช้สารที่เป็นตัวทำละลาย หรือสารเคมีที่มีฤทธิ์กัดกร่อนรุนแรงอื่น ๆ ทำความสะอาดชิ้นส่วนของเครื่องมือที่ไม่ใช่โลหะ สารเคมีเหล่านี้อาจส่งผลกระทบต่อ ชิ้นส่วนเหล่านี้ ใช้เฉพาะผ้าชุบน้ำสบู่ อ่อน ๆ เท่านั้น อย่าให้มือของเหลวใด ๆ เข้า ไปในเครื่องมือเด็ดขาด ห้ามจุ่มส่วนใด ๆ ของเครื่องมือลงในของเหลวเด็ดขาด

อุปกรณ์เสริม



คำเตือน: เนื่องจากอุปกรณ์เสริมอื่นนอก เหนือจากที่ DEWALT มีจำหน่าย ไม่ได้ ผ่านการทดสอบร่วมกับผลิตภัณฑ์นี้ จึงอาจ เป็นอันตรายหากใช้อุปกรณ์เสริมดังกล่าว ร่วมกับเครื่องมือนี้ ดังนั้น เพื่อเป็นการลด ความเสี่ยงจากการได้รับบาดเจ็บ ให้ใช้ อุปกรณ์เสริมเฉพาะที่ DEWALT แนะนำให้ ใช้ร่วมกับผลิตภัณฑ์นี้เท่านั้น

โปรดติดต่อตัวแทนจำหน่ายหากต้องการข้อมูลเพิ่มเติม เกี่ยวกับอุปกรณ์เสริมที่เหมาะสม

อุปกรณ์เสริมที่ใช้ด้วยกันได้

แผ่นรองกระดาษทรายสำหรับเครื่องมือแบบสัน

ใบเลื่อยตัดไม้ที่มีตะปูสำหรับเครื่องมือแบบสัน

ใบเลื่อยไททาเนียมแบบกว้างสำหรับตัดไม้ที่มีตะปู สำหรับเครื่องมือแบบสัน

ใบเลื่อยตัดไม้เนื้อแข็งสำหรับเครื่องมือแบบสัน

ใบเลื่อยตัดไม้แบบตัดเร็วสำหรับเครื่องมือแบบสัน

ใบเลื่อยตัดไม้แบบตัดเร็วแบบกว้างสำหรับเครื่องมือแบบสัน

ใบเลื่อยตัดเนื้อไม้สำหรับเครื่องมือแบบสัน

ใบเลื่อยไททาเนียมสำหรับเครื่องมือแบบสัน

ใบเลื่อยครึ่งวงกลมสำหรับเครื่องมือแบบสัน

ใบเลื่อยไททาเนียมครึ่งวงกลมสำหรับเครื่องมือแบบสัน

ใบเลื่อยตัดเสมอสำหรับเครื่องมือแบบสัน

ใบเลื่อยไททาเนียมตัดเสมอสำหรับเครื่องมือแบบสัน

ใบเลื่อยตัดวัสดุหลายอย่างสำหรับเครื่องมือแบบสัน

เหล็กชุดแบบแข็งสำหรับเครื่องมือแบบสัน

เหล็กชุดแบบอ่อนสำหรับเครื่องมือแบบสัน

ใบตัดแนวปูนทำด้วยคาร์ไบด์สำหรับเครื่องมือแบบสัน

ใบตัดแนวปูนแบบตัดเร็วทำด้วยคาร์ไบด์สำหรับเครื่องมือ แบบสัน

ตะไบคาร์ไบด์สำหรับเครื่องมือแบบสัน

การปกป้องสิ่งแวดล้อม



การแยกเก็บ ห้ามทิ้งผลิตภัณฑ์นี้ร่วมกับขยะในครัวเรือนปกติ

หากวันหนึ่งคุณพบว่า จำเป็นต้องเปลี่ยนผลิตภัณฑ์ DEWALT ของคุณ หรือถ้าเครื่องมือนี้ไม่เป็นประโยชน์สำหรับคุณอีกต่อไป อย่างที่ผลิตภัณฑ์นี้ร่วมกับขยะในครัวเรือน จัดการกับผลิตภัณฑ์นี้เพื่อให้พร้อมสำหรับการคัดแยกขยะ



การเก็บรวบรวมแบบคัดแยกสำหรับบรรจุภัณฑ์และผลิตภัณฑ์ที่แข็งแล้วทำให้สามารถรีไซเคิลวัสดุและนำมาใช้งานได้อีกครั้ง การนำวัสดุรีไซเคิลมาใช้ใหม่จะช่วยป้องกันมลพิษต่อสิ่งแวดล้อมและลดความต้องการวัตถุดิบ

ตามกฎหมายที่บังคับอาจมีการจัดเตรียมสถานที่สำหรับการเก็บรวบรวมแบบคัดแยกอุปกรณ์ไฟฟ้าที่ใช้ภายในครัวเรือนไว้ ณ แหล่งรับขยะของเทศบาล หรืออาจมีการรับอุปกรณ์นี้แล้วจากผู้ค้าปลีกในกรณีที่คุณซื้อผลิตภัณฑ์ชิ้นใหม่

คุณสามารถตรวจเช็คศูนย์บริการใกล้บ้านที่ได้รับอนุญาตโดยติดต่อไปที่สำนักงาน DEWALT ประจำพื้นที่ ตามที่อยู่ที่ให้ไว้ในคู่มือเล่มนี้ หรือ คุณอาจตรวจเช็ครายชื่อศูนย์บริการ DEWALT ที่ได้รับอนุญาต รวมทั้งรายละเอียดต่างๆ ของบริการหลังการขายได้ทางอินเทอร์เน็ต ที่:

www.2helpU.com

การแก้ปัญหา

| ปัญหา | สาเหตุที่เป็นไปได้ | การแก้ไขที่เป็นไปได้ |
|----------------------|-----------------------------|--|
| เครื่องไม่เริ่มทำงาน | ไม่ได้เสียบสายไฟ | เสียบสายไฟเครื่องมือเข้ากับเต้าเสียบที่ใช้งานได้ |
| | ฟิวส์ขาด | เปลี่ยนฟิวส์ (ถ้าฟิวส์ขาดบ่อยๆ ให้หยุดใช้งานทันที และส่งเข้ารับบริการโดยศูนย์ซ่อมที่ได้รับอนุญาตจาก DEWALT) |
| | เซอร์กิตเบรกเกอร์ตัด | รีเซ็ตเซอร์กิตเบรกเกอร์ (ถ้าเซอร์กิตเบรกเกอร์ตัดบ่อยๆ ให้หยุดใช้งานทันที และส่งเข้ารับบริการโดยศูนย์ซ่อมที่ได้รับอนุญาตจาก DEWALT) |
| | สายไฟหรือสวิตช์ชำรุดเสียหาย | เปลี่ยนสายไฟหรือสวิตช์โดยศูนย์ซ่อมที่ได้รับอนุญาตจาก DEWALT |

MÁY CẮT RUNG ĐA NĂNG

DWE315

Xin chúc mừng!

Bạn đã chọn dụng cụ của DEWALT. Qua nhiều năm kinh nghiệm, những đổi mới và phát triển sản phẩm một cách toàn diện đã giúp DEWALT trở thành một trong những đổi tác đáng tin cậy nhất đối với người sử dụng dụng cụ điện chuyên nghiệp.

Số liệu Kỹ thuật

| | | DWE315 |
|-------------------|-------------------|---------|
| Điện áp | V _{AC} | 220-240 |
| Công suất đầu vào | W | 300 |
| Công suất đầu ra | W | 170 |
| Tần số rung | min ⁻¹ | 0–22000 |
| Góc rung | | 1.6° |
| Trọng lượng | kg | 1.5 |

Định nghĩa: Hướng dẫn An toàn

Các định nghĩa dưới đây mô tả mức độ nghiêm trọng của từng ký hiệu. Vui lòng đọc hướng dẫn sử dụng và chú ý đến các ký hiệu này.



NGUY HIỂM: Chỉ tình huống nguy hiểm tiềm ẩn mà, nếu không phòng tránh, sẽ gây tử vong hoặc chấn thương nghiêm trọng.



CẢNH BÁO: Chỉ tình huống nguy hiểm tiềm ẩn mà, nếu không phòng tránh, có thể gây tử vong hoặc chấn thương nghiêm trọng.



CHÚ Ý: Chỉ tình huống nguy hiểm tiềm ẩn mà, nếu không phòng tránh, có thể gây chấn thương vừa hoặc nhẹ.

LƯU Ý: Chỉ một hoạt động không liên quan đến chấn thương cá nhân mà, nếu không phòng tránh, có thể gây hư hỏng tài sản.



Biểu thị nguy cơ bị điện giật.



Biểu thị nguy cơ hỏa hoạn.



CẢNH BÁO: Để giảm nguy cơ chấn thương, hãy đọc sổ tay hướng dẫn.

Cảnh báo Chung về An toàn đối với Dụng cụ Điện Cầm tay



CẢNH BÁO! Hãy đọc tất cả các cảnh báo và hướng dẫn về an toàn. Việc không tuân theo các cảnh báo và hướng dẫn có thể dẫn đến điện giật, cháy nổ và/hoặc chấn thương nghiêm trọng.

GIỮ LẠI TẤT CẢ CÁC CẢNH BÁO VÀ HƯỚNG DẪN ĐỂ THAM KHẢO VỀ SAU.

Thuật ngữ “dụng cụ điện cầm tay” trong phần cảnh báo chỉ thiết bị chạy bằng điện nguồn (có dây điện) hoặc thiết bị chạy bằng pin (không có dây điện).

1) AN TOÀN TẠI NƠI LÀM VIỆC

- Đảm bảo nơi làm việc luôn sạch sẽ và đủ ánh sáng.** Những khu vực bừa bộn hoặc thiếu ánh sáng dễ gây tai nạn.
- Không vận hành dụng cụ điện trong các môi trường dễ cháy nổ, như các môi trường có chất lỏng, khí ga hoặc bụi dễ cháy.** Dụng cụ điện tạo ra các tia lửa điện có thể gây cháy bụi hoặc bốc khói.
- Không cho trẻ em và những người không liên quan lại gần khi đang vận hành dụng cụ điện.** Những lúc xao lãng có thể khiến bạn mất kiểm soát.

2) AN TOÀN ĐIỆN

- Phích cắm của dụng cụ điện cầm tay phải vừa với ổ cắm. Không được sửa đổi phích cắm dưới bất kỳ hình thức nào. Không được sử dụng các phích cắm tiếp hợp với những dụng cụ điện cầm tay có nối đất (tiếp đất). Phích cắm không sửa chữa và ổ cắm phù hợp sẽ giảm nguy cơ bị điện giật.**
- Tránh tiếp xúc với các bề mặt được nối đất như đường ống, lò sưởi, bếp nướng và tủ lạnh.** Nguy cơ bị điện giật sẽ cao hơn nếu cơ thể của bạn nối đất.
- Không được để các dụng cụ điện ngoài trời mưa hoặc nơi ẩm ướt.** Nước vào trong dụng cụ điện cầm tay sẽ làm tăng nguy cơ bị điện giật.
- Không được dùng dây điện cho các mục đích khác. Tuyệt đối không sử dụng dây điện để mang, kéo hoặc rút phích cắm dụng cụ điện cầm tay. Để dây điện cách xa nguồn nhiệt, dầu mỡ, các cạnh sắc hoặc các bộ phận chuyển động. Dây điện bị hỏng hoặc bị vướng sẽ làm tăng nguy cơ bị điện giật.**

- e) **Khi vận hành dụng cụ điện ngoài trời, hãy sử dụng dây nối dài phù hợp để sử dụng ngoài trời.** Sử dụng dây điện phù hợp để sử dụng ngoài trời sẽ giảm nguy cơ bị điện giật.
- f) **Nếu bắt buộc phải vận hành dụng cụ điện cầm tay ở nơi ẩm ướt, hãy sử dụng nguồn được bảo vệ bởi thiết bị ngắt mạch tự động (RCD).** Sử dụng RCD sẽ giảm nguy cơ bị điện giật.

3) AN TOÀN CÁ NHÂN

- a) **Hãy tập trung, chú ý vào những gì bạn đang làm và tình táo khi vận hành dụng cụ điện cầm tay.** Không được sử dụng dụng cụ điện cầm tay khi bạn đang mệt hoặc chịu ảnh hưởng của rượu bia, ma túy hoặc chất kích thích. Một khoảnh khắc mất tập trung trong khi vận hành dụng cụ điện cầm tay có thể gây chấn thương cá nhân nghiêm trọng.
- b) **Sử dụng thiết bị bảo hộ cá nhân.** Luôn đeo kính bảo hộ. Thiết bị bảo hộ như mặt nạ chống bụi, giày chống trượt, mũ cứng hoặc thiết bị bảo vệ tai nếu được sử dụng ở những điều kiện phù hợp sẽ giúp giảm các chấn thương cá nhân.
- c) **Tránh bật máy không chủ định. Đảm bảo rằng công tắc ở vị trí tắt trước khi nối với nguồn điện và/hoặc pin, khi cầm lên hoặc mang dụng cụ.** Việc cầm dụng cụ điện cầm tay khi ngón tay đặt vào công tắc hoặc sạc pin cho dụng cụ điện cầm tay khi công tắc đang bật có thể gây tai nạn.
- d) **Hãy tháo hết khóa điều chỉnh hoặc cờ lê trước khi bật dụng cụ điện.** Cờ lê hoặc khóa vẫn để ở bộ phận quay của dụng cụ điện cầm tay có thể dẫn đến chấn thương cá nhân.
- e) **Không được với tay. Hãy đứng ở tư thế thích hợp và luôn giữ thăng bằng.** Điều đó giúp kiểm soát dụng cụ điện cầm tay tốt hơn trong các tình huống không thể lường trước.
- f) **Mặc quần áo phù hợp. Không được mặc quần áo rộng hoặc đeo đồ trang sức.** Giữ cho tóc, quần áo và găng tay tránh xa khỏi các bộ phận chuyển động. Quần áo rộng, đồ trang sức hoặc tóc dài có thể bị vướng vào các bộ phận chuyển động.
- g) **Nếu các dụng cụ được cung cấp để nối các phương tiện hút hoặc gom bụi, hãy đảm bảo những dụng cụ này được nối và sử dụng đúng cách.** Sử dụng dụng cụ gom bụi có thể giảm các nguy cơ liên quan đến bụi.

4) SỬ DỤNG VÀ BẢO QUẢN DỤNG CỤ ĐIỆN

- a) **Sử dụng dụng cụ điện cầm tay phù hợp.** Sử dụng dụng cụ điện cầm tay phù hợp với mục đích của bạn. Sử dụng đúng dụng cụ điện sẽ đem lại hiệu quả công việc tốt hơn và an toàn hơn theo đúng thiết kế .

- b) **Không sử dụng dụng cụ điện nếu công tắc không bật và tắt được.** Mọi dụng cụ điện cầm tay không điều khiển được bằng công tắc đều rất nguy hiểm và cần phải được sửa chữa.
- c) **Rút phích cắm dụng cụ điện cầm tay khỏi nguồn điện và/hoặc pin trước khi thực hiện các điều chỉnh, thay đổi linh kiện hoặc cất giữ dụng cụ.** Các biện pháp an toàn phòng ngừa này giúp giảm nguy cơ khởi động dụng cụ điện cầm tay một cách tình cờ.
- d) **Bảo quản các dụng cụ điện không sử dụng tránh xa tầm tay trẻ em và không cho phép những người không quen sử dụng dụng cụ điện hoặc những hướng dẫn này vận hành dụng cụ điện.** Dụng cụ điện cầm tay sẽ rất nguy hiểm khi được những người chưa được huấn luyện sử dụng.
- e) **Bảo trì dụng cụ điện cầm tay. Kiểm tra các bộ phận di chuyển xem có bị lắp lệch hoặc kẹt không, các bộ phận có bị vỡ không và bất kỳ tình trạng nào khác có thể ảnh hưởng đến việc vận hành dụng cụ điện cầm tay. Nếu dụng cụ điện cầm tay bị hỏng, hãy sửa chữa trước khi sử dụng.** Rất nhiều tai nạn xảy ra do công tác bảo trì các dụng cụ điện kém.
- f) **Giữ cho các thiết bị cắt luôn sắc và sạch sẽ.** Các dụng cụ cắt được bảo trì đúng cách với các cạnh cắt sắc sẽ ít bị kẹt hơn và dễ điều khiển hơn.
- g) **Sử dụng công cụ điện, các linh kiện và mũi khoan, v.v...theo các chỉ dẫn này, để ý đến các điều kiện làm việc và công việc cần thực hiện.** Việc sử dụng dụng cụ điện cầm tay cho các mục đích khác có thể dẫn đến tình huống nguy hiểm.

5) BẢO DƯỠNG

- a) **Hãy để nhân viên bảo dưỡng có chuyên môn tiến hành bảo dưỡng dụng cụ điện cho bạn, chỉ sử dụng các phụ tùng thay thế chính hãng.** Điều này giúp đảm bảo độ an toàn của dụng cụ điện cầm tay đó.

Các quy tắc An toàn Khác cho Máy Cắt Rung Đa Năng



CẢNH BÁO: Đặc biệt chú ý khi chà nhám một số loại gỗ (ví dụ: gỗ dẻ gai, gỗ sồi) và kim loại có thể sinh ra bụi độc. Phải đeo mặt nạ chống bụi được thiết kế đặc biệt để bảo vệ khỏi bụi và khói và phải đảm bảo rằng những người trong hoặc bước vào khu vực làm việc cũng phải được bảo vệ.



CẢNH BÁO: Sử dụng dụng cụ này ở khu vực thoáng khí khi chà nhám kim loại đen. Không vận hành dụng cụ gắn chất lỏng, khí hoặc bụi dễ cháy. Tia lửa hoặc các hạt

nóng do chà nhám hoặc hàn hồ quang chổi than động cơ có thể khiến các vật liệu này bốc cháy.



Mang thiết bị bảo vệ mắt.



Đeo khẩu trang.

Chà nhám Sơn



CẢNH BÁO: Tuân thủ các quy định hiện hành về chà nhám sơn. Đặc biệt chú ý đến các điểm sau:

- Bất cứ khi nào có thể, sử dụng máy hút chân không để gom bụi.
- Đặc biệt chú ý khi chà nhám sơn có thể chứa chì:
 - Không cho trẻ em hoặc phụ nữ mang thai vào khu vực làm việc.
 - Tất cả những người vào khu vực làm việc phải đeo mặt nạ được thiết kế đặc biệt để bảo vệ khỏi bụi sơn chứa chì và khói.
 - Không được ăn, uống hoặc hút thuốc trong khu vực làm việc.
- Thải bỏ bụi và các mảnh vụn khác ở nơi an toàn.
- **Chỉ cầm dụng cụ điện ở phần bề mặt tay cầm cách điện khi thực hiện thao tác mà dụng cụ cắt có thể tiếp xúc với hệ thống dây điện chìm hoặc dây điện của chính dụng cụ.** Tiếp xúc với dây điện "có điện" sẽ làm cho các bộ phận kim loại hở của dụng cụ trở thành "có điện" và khiến người vận hành bị điện giật.
- **Dùng kẹp hay áp dụng một biện pháp thực tế khác nhằm bảo đảm và cố định phôi gia công trên bàn máy.** Giữ phôi bằng tay hay dựa phôi vào người bạn đều làm cho phôi không vững và có thể khiến bạn mất kiểm soát.

Các nguy cơ còn lại

Kể cả việc áp dụng các quy tắc an toàn liên quan và dùng các thiết bị an toàn cũng không thể tránh được một số nguy cơ còn lại. Những nguy cơ này gồm:

- Suy giảm thính lực.
- Nguy cơ chấn thương cá nhân do các hạt bay vào người.
- Nguy cơ bị bỏng do các phụ kiện trở nên nóng trong khi vận hành.
- Nguy cơ chấn thương cá nhân do sử dụng trong thời gian dài.

Ký hiệu trên máy

Trên máy có các ký hiệu sau:



Đọc kỹ hướng dẫn sử dụng trước khi dùng.



Mang thiết bị bảo vệ tai.

VỊ TRÍ MÃ NGÀY (HÌNH 1)

Mã ngày (t), bao gồm cả năm sản xuất, được in trên máy.

Ví dụ:

2013 XX XX

Năm Sản xuất

Thiết bị trong hộp

Hộp sản phẩm bao gồm:

- 1 Ống nối cho tất cả các lưỡi dao
 - 1 Ống nối hút bụi (DWE315K)
 - 1 Thiết bị chỉnh hướng cắt (DWE315K)
 - 1 Lưỡi cắt gỗ nhanh 31 mm x 43 mm (DWE315K)
 - 1 Lưỡi cắt gỗ cố định 31 mm x 43 mm
 - 1 Lưỡi hình bán nguyệt 100 mm (DWE315K)
 - 1 Tấm gắn giấy rập
 - 25 Miếng giấy rập nhiều loại
 - 1 Lưỡi cắt chi tiết gỗ 9,5 mm x 43 mm (DWE315K)
 - 1 Lưỡi cạo vữa cacbua 3 mm (100 mm hình bán nguyệt) (DWE315K)
 - 1 Lưỡi cạo cố định
 - 1 Khóa đầu lục giác
 - 1 Hộp dụng cụ (DWE315K)
 - 1 Hướng dẫn sử dụng
- Kiểm tra dụng cụ, các bộ phận hoặc phụ kiện xem có bị hư hỏng do quá trình vận chuyển hay không.
 - Dành thời gian đọc kỹ và hiểu rõ hướng dẫn sử dụng trước khi vận hành máy.

Mô tả (hình 1)



CẢNH BÁO: Không chỉnh sửa dụng cụ điện cầm tay hay bất kỳ bộ phận nào của máy. Việc chỉnh sửa có thể làm hỏng máy hoặc gây chấn thương cá nhân.

- a. Bộ khởi động tốc độ biến thiên
- b. Đèn làm việc LED
- c. Cần kẹp phụ kiện
- d. Nút khóa công tắc
- e. Khe cắm ở bên cạnh phụ kiện
- f. Chốt khóa cần chỉnh hướng cắt
- g. Cần chỉnh hướng cắt

MỤC ĐÍCH SỬ DỤNG

Máy cắt rung đa năng này được thiết kế để chà nhám chi tiết chuyên nghiệp, cắt chìm, cắt bằng, loại bỏ vật liệu dư thừa và chuẩn bị bề mặt.

KHÔNG ĐƯỢC sử dụng máy ở những nơi ẩm ướt hoặc có chất lỏng hoặc khí dễ cháy.

Máy cắt rung đa năng này là dụng cụ điện chuyên nghiệp.

KHÔNG được để trẻ em lại gần dụng cụ. Cần phải có người giám sát khi dụng cụ này được vận hành bởi người chưa có kinh nghiệm.

- Không cho phép những người (bao gồm cả trẻ em) bị suy giảm năng lực thể chất, trí tuệ hoặc cảm giác, hay người thiếu kinh nghiệm, kiến thức hoặc kỹ năng sử dụng dụng cụ điện cầm tay này, trừ khi có sự giám sát của người chịu trách nhiệm về vấn đề an toàn của họ. Không được để trẻ em một mình với sản phẩm này.

An toàn Điện

Động cơ điện được thiết kế để sử dụng tại một mức điện áp duy nhất. Luôn kiểm tra nguồn điện vào tương ứng với điện áp trên tấm định mức.



Công cụ DEWALT của bạn đã được cách điện kép theo tiêu chuẩn EN 60745; do vậy không cần dây nối đất.



CẢNH BÁO: Các thiết bị 115 V phải được vận hành qua máy biến áp cách điện an toàn có lưới tiếp đất giữa bó dây chính và bó dây phụ.

Nếu dây điện bị hỏng, phải thay bằng dây mới được cung cấp riêng tại các cơ sở bảo dưỡng của DEWALT.

Sử dụng Dây điện Nối dài

Nếu cần dây điện nối dài, hãy sử dụng loại dây 3 lõi được chấp nhận là phù hợp cho công suất đầu vào của dụng cụ này (xem phần **Số liệu Kỹ thuật**). Kích cỡ tối thiểu cho phần dẫn điện là 1,5 mm²; chiều dài tối đa là 30 m.

Khi sử dụng dây điện cuộn, luôn duỗi thẳng dây điện hoàn toàn.

LẮP RÁP VÀ ĐIỀU CHỈNH



CẢNH BÁO: Để giảm thiểu chấn thương, hãy tắt hết thiết bị và ngắt kết nối với nguồn điện trước khi tiến hành lắp ráp và tháo dỡ phụ kiện, trước khi điều chỉnh hoặc thay thế chế độ cài đặt hoặc khi tiến hành sửa chữa. Đảm bảo công tắc khởi động ở vị

trí OFF. Việc bắt ngờ khởi động cũng có thể gây thương tích.



CẢNH BÁO: Rủi ro bị cửa rách hoặc bóng. Không chạm vào phôi gia công hoặc lưới ngay sau khi vận hành dụng cụ. Có thể chúng sẽ rất nóng. Sử dụng một cách cẩn thận. Luôn để phụ kiện và phôi gia công nguội trước khi sử dụng.

Lắp/tháo phụ kiện (hình 2–6)

KẸP PHỤ KIỆN KHÔNG GẮN VÀO DỤNG CỤ (HÌNH 2–4)

DWE315 có hệ thống phụ kiện thay đổi nhanh. Điều này cho phép thay đổi phụ kiện nhanh hơn mà không cần cờ lê hoặc khóa hình lục giác giống như các hệ thống máy cắt rung khác.

1. Cầm dụng cụ và ấn mạnh cần kẹp phụ kiện (c) như được mô tả trong hình 2.
2. Lẩy hết các mảnh vụn còn lại khỏi trục của dụng cụ và đầu kẹp phụ kiện.
3. Trượt phụ kiện giữa trục (h) và đầu kẹp phụ kiện, đảm bảo phụ kiện khớp cả tám chân vào đầu kẹp và được lắp ngang bằng với trục. Đảm bảo phụ kiện có hướng như được mô tả trong Hình 3.
4. Nhả cần kẹp phụ kiện.

LƯU Ý: Một số phụ kiện, chẳng hạn như mũi cạo và lưỡi có thể được gắn tại một góc nếu được yêu cầu như được mô tả trong hình 4.

LẮP/THÁO GIẤY NHÁM (HÌNH 5)

Trục cuộn có hình kim cương sử dụng móc và hệ thống dính vòng để gắn giấy nhám. Trục cuộn cho phép bạn sử dụng trên bề mặt bằng phẳng rộng và các điểm chạt hoặc các góc.

1. Lắp trục cuộn nhám (i) như được mô tả trong **Lắp/tháo phụ kiện**.
2. Điều chỉnh các cạnh trên giấy nhám, với các cạnh của trục cuộn nhám và nhấn vào giấy nhám (j) trên trục cuộn.
3. Ấn mạnh để có giấy nhám được gắn lên bề mặt bằng phẳng và bật nhanh dụng cụ. Điều này tạo lực dính kết tốt giữa trục cuộn và giấy nhám, đồng thời giúp tránh mài mòn sớm.
4. Khi đầu giấy nhám bị mài mòn, hãy tháo giấy khỏi trục cuộn, xoay và lắp lại.

LẮP PHỤ KIỆN BẰNG ỐNG NỔI ĐA NĂNG (HÌNH 6)



CHÚ Ý: Để tránh chấn thương, không sử dụng bất kỳ phụ kiện nào cho ứng dụng mà ống nổi không thể giữ phụ kiện.



CHÚ Ý: Đọc và tuân thủ tất cả các cảnh báo an toàn của nhà sản xuất đối với mọi phụ kiện được sử dụng với dụng cụ này.



CHÚ Ý: Để tránh chấn thương, đảm bảo ống nổi và phụ kiện được siết chặt.

Có thể lắp phụ kiện không phải của DEWALT bằng ống nổi đa năng.

1. Đặt gioăng (k) trên dụng cụ.
2. Đặt phụ kiện lên gioăng.
3. Siết và vặn chặt đai ốc của ống nổi (l) bằng cờ lê lục giác (p).

Lắp Dẫn hướng Cắt (hình 7–12)

Dẫn hướng độ sâu/cắt cho phép bạn cắt vật liệu chính xác ở độ sâu đã chỉ định và theo dõi chính xác hơn đường cắt đã đánh dấu.

1. Lắp mẫu dưỡng cắt (f) bằng cách lắp các vấu của phụ kiện (m) trên dẫn hướng vào khe cắm ở bên cạnh phụ kiện (e) trên thân dụng cụ.
2. Lắp mẫu vào thân dụng cụ bằng vít kèm theo (o) và gioăng (u). Siết chặt bằng cờ lê lục giác kèm theo (p).

DẪN HƯỚNG ĐỘ SÂU

Chức năng này cho phép bạn cắt vật liệu chính xác ở độ sâu đã chỉ định.

1. Lắp cần dẫn hướng (g) như được minh họa trong hình 8 vào khe phía trước trên mẫu dưỡng (f).
2. Điều chỉnh chiều dài của dẫn hướng bằng cách kéo hoặc đẩy vào trong để đạt được độ sâu cắt mong muốn như được mô tả trong hình 9.
3. Cố định dẫn hướng đúng chỗ bằng cách xoay núm điều chỉnh độ sâu/cắt (n) theo chiều kim đồng hồ. Để nhà dẫn hướng, xoay núm điều chỉnh độ sâu/cắt ngược chiều kim đồng hồ.

DẪN HƯỚNG CẮT

Chức năng này cho phép bạn theo dõi chính xác hơn đường cắt đã đánh dấu.

1. Lắp cần dẫn hướng (g) như được minh họa trong hình 10 vào khe phía bên trái và bên phải mẫu dưỡng (f).
2. Điều chỉnh chiều dài của dẫn hướng bằng cách kéo hoặc đẩy vào trong để đạt được chiều dài mong muốn như được mô tả trong hình 11.

3. Cố định dẫn hướng đúng chỗ bằng cách xoay núm điều chỉnh độ sâu/cắt (n) theo chiều kim đồng hồ. Để nhà dẫn hướng, xoay núm điều chỉnh độ sâu/cắt ngược chiều kim đồng hồ.

LƯU Ý: Cần dẫn hướng cũng có thể được đặt trong cụm vành chắn theo chiều dọc để đặt chiều cao của vết cắt. Tham khảo hình 12.

Gắn Ống nổi hút bụi (hình 16)

Ống nổi hút bụi cho phép bạn nối dụng cụ với máy hút bụi bên ngoài, bằng hệ thống AirLock™ (DWW9000-X) hoặc máy hút bụi tiêu chuẩn 35 mm.

1. Gắn ống nổi hút bụi (q) bằng cách lắp các vấu (m) vào khe cắm ở cạnh phụ kiện (e).
2. Lắp ốc vít (o) và gioăng (u) vào ống nổi hút bụi (q) và vặn chặt bằng khóa đầu lục giác kèm theo (p).

VẬN HÀNH

Hướng dẫn sử dụng (hình 13, 14)



CẢNH BÁO: Luôn chú ý hướng dẫn và quy tắc hiện hành về an toàn.



CẢNH BÁO: Để giảm nguy cơ chấn thương cá nhân nghiêm trọng, hãy tắt máy và ngắt kết nối khỏi nguồn điện trước khi thực hiện bất kỳ điều chỉnh nào hoặc tháo/lắp các đồ gá hoặc phụ kiện.



CẢNH BÁO: Đảm bảo công tắc được TẮT hoàn toàn trước khi cắm dây nguồn.

1. Cắm dây nguồn.
2. Để BẬT dụng cụ, cầm dụng cụ như mô tả trong hình 13 và ấn vào bộ khởi động tốc độ biến thiên (a).

LƯU Ý: Công tắc bộ khởi động càng được ấn mạnh thì dụng cụ càng vận hành nhanh hơn. Nếu nghi ngờ về tốc độ vận hành phù hợp của bạn, kiểm tra hiệu suất ở tốc độ thấp và tăng dần cho đến khi đạt đến tốc độ phù hợp.

3. Để TẮT dụng cụ, nhả bộ khởi động tốc độ biến thiên (a).

Nút khóa công tắc (hình 14)

Để thuận tiện cho việc sử dụng các ứng dụng trong thời gian dài, nút khóa công tắc (d) có thể khóa bộ khởi động (a) ở vị trí ấn.

Đèn làm việc LED (hình 15)

Đèn làm việc LED (b) sẽ kích hoạt khi bộ khởi động được ấn.

Vị trí tay phù hợp (hình 13)



CẢNH BÁO: Để giảm nguy cơ chấn thương cá nhân nghiêm trọng, **LUÔN** để tay ở vị trí phù hợp như trong hình vẽ.



CẢNH BÁO: Để giảm nguy cơ chấn thương cá nhân nghiêm trọng, **LUÔN** giữ chặt tay để tránh trường hợp bị giật lại đột ngột.

Vị trí tay phù hợp yêu cầu cầm dụng cụ như mô tả trong Hình 13.

Sử dụng Ống nối hút bụi với Trục cuốn nhám (hình 17)

1. Gắn ống nối hút bụi (q). Tham khảo **Gắn Ống nối hút bụi**.
2. Gắn trục cuốn nhám (i) như được mô tả trong **Lắp đặt/tháo phụ kiện**.
3. Gắn trục nhám như được mô tả trong **Lắp đặt/tháo giấy nhám**.

Sử dụng Ống nối hút bụi với Phụ kiện Cắt chìm (hình 18)

1. Gắn ống nối hút bụi. Tham khảo **Gắn Ống nối hút bụi**.
2. Đẩy cần hút bụi (s) vào rãnh phía dưới của ống nối hút bụi (q).
3. Gắn dao cắt chìm như được mô tả trong **Lắp đặt/tháo phụ kiện**.
4. Điều chỉnh cần hút bụi (s) để có kết quả tốt nhất.

Mẹo hữu ích

- Luôn đảm bảo phôi gia công được giữ chắc hoặc được kẹp chặt để ngăn chuyển động. Mọi chuyển động của vật liệu có thể ảnh hưởng đến chất lượng của công việc cắt hoặc chà nhám.
- Không bắt đầu chà nhám mà không lắp giấy ráp và trục cuốn nhám.
- Sử dụng giấy chà thô để chà bề mặt nhám, tấm chà trung bình cho bề mặt phẳng và tấm chà mịn cho bề mặt thành phẩm. Nếu cần, trước tiên hãy chạy kiểm tra trên vật liệu thải.
- Dùng lực quá mạnh sẽ giảm hiệu quả hoạt động và khiến quá tải động cơ. Thường xuyên thay phụ kiện sẽ duy trì hiệu quả hoạt động tối ưu.

- Không được để giấy ráp mòn, điều đó sẽ làm hỏng tấm gắn giấy ráp.
- Nếu dụng cụ quá nhiệt, đặt biệt khi được sử dụng ở tốc độ thấp, đặt tốc độ thành tối đa và chạy không tải trong 2-3 phút để làm mát động cơ. Tránh sử dụng trong thời gian dài ở tốc độ rất thấp. Luôn giữ cho lưỡi dao sắc.

BẢO TRÌ

Dụng cụ điện cầm tay của DEWALT được thiết kế để vận hành trong thời gian dài và ít phải bảo trì nhất. Dụng cụ vận hành liên tục theo ý muốn tùy thuộc vào việc bảo quản dụng cụ đúng cách và vệ sinh thường xuyên.



CẢNH BÁO: Để giảm thiểu chấn thương, hãy tắt hết thiết bị và ngắt kết nối với nguồn điện trước khi tiến hành lắp ráp và tháo phụ kiện, trước khi điều chỉnh hoặc thay thế chế độ cài đặt hoặc khi tiến hành sửa chữa. Đảm bảo công tắc khởi động ở vị trí OFF. Việc bất ngờ khởi động cũng có thể gây thương tích.



Tra dầu

Dụng cụ điện cầm tay này không cần tra thêm dầu.



Vệ sinh



CẢNH BÁO: Thường xuyên thổi bụi bẩn khỏi vỏ dụng cụ khi thấy bám bụi xung quanh các khe thông gió. Đeo mặt nạ bảo vệ mắt và chống bụi theo quy định khi thực hiện quy trình này.



CẢNH BÁO: Tuyệt đối không sử dụng các dung môi và hóa chất thô để vệ sinh các bộ phận không làm bằng kim loại của dụng cụ. Các hóa chất này có thể làm tổn hại đến các nguyên vật liệu sử dụng trong các bộ phận này. Chỉ sử dụng khăn được làm ẩm bằng nước và xà phòng có tính tẩy nhẹ. Tuyệt đối không để chất lỏng lọt vào bên trong dụng cụ; không bao giờ ngâm các bộ phận của dụng cụ vào chất lỏng.

Các phụ kiện tùy chọn



CẢNH BÁO: Do các phụ kiện, không phải các phụ kiện do DEWALT CUNG CẤP, chưa được kiểm nghiệm với sản phẩm này; nên việc sử dụng các phụ kiện đó với sản phẩm này có thể gây nguy hiểm. Để giảm nguy cơ chấn thương, chỉ được sử dụng các phụ kiện do DEWALT khuyến nghị cho sản phẩm này.

Hỏi ý kiến đại lý bán để biết thêm thông tin về các phụ kiện phù hợp.

PHỤ KIỆN TƯƠNG THÍCH

- Tấm gắn giấy ráp của máy cắt rung
- Lưỡi cắt rung dùng để cắt gỗ có đinh
- Lưỡi cắt rung bằng titan có kích thước lớn dùng để cắt gỗ có đinh
- Lưỡi cắt rung dùng để cắt gỗ cứng
- Lưỡi cắt rung dùng để cắt gỗ nhanh
- Lưỡi cắt rung có kích thước lớn dùng để cắt gỗ nhanh
- Lưỡi cắt rung dùng để cắt chi tiết gỗ
- Lưỡi cắt rung bằng titan dùng để cắt kim loại
- Lưỡi cắt rung hình bán nguyệt
- Lưỡi cắt rung bằng titan hình bán nguyệt
- Lưỡi cắt rung dùng để cắt bằng
- Lưỡi cắt rung bằng titan dùng để cắt bằng
- Lưỡi cắt rung dùng để cắt nhiều loại vật liệu
- Lưỡi cắt rung cố định dùng để cạo
- Lưỡi cắt rung linh hoạt dùng để cạo
- Lưỡi cắt rung dùng để cạo vữa cacbua
- Lưỡi cắt rung dùng để cắt nhanh và cạo vữa cacbua
- Thiết bị cắt rung dùng để cạo

Bảo vệ môi trường



Thu gom riêng. Không được vứt bỏ sản phẩm này với rác thải gia đình thông thường.

Nếu sản phẩm DEWALT của bạn cần phải thay thế, hoặc bạn không sử dụng nó trong tương lai nữa, đừng thải bỏ cùng với rác thải sinh hoạt. Sản phẩm phải được thu gom riêng.



Thu gom riêng sản phẩm đã qua sử dụng và đóng gói lại sẽ cho phép tái chế và tái sử dụng vật liệu. Tái sử dụng vật liệu tái sinh giúp ngăn chặn ô nhiễm môi trường và giảm nhu cầu đối với vật liệu thu.

Luật lệ địa phương có thể quy định việc thu gom riêng các sản phẩm điện gia dụng, tại các bãi rác thải đô thị hoặc bởi những người bán lẻ khi bạn mua sản phẩm mới.

DEWALT đáp ứng nơi thu gom và tái chế các sản phẩm của DEWALT khi các sản phẩm này đã hết hạn sử dụng. Để sử dụng dịch vụ này, vui lòng trả lại sản phẩm cho đại lý sửa chữa được ủy quyền, nơi thu gom các sản phẩm này thay mặt công ty chúng tôi.

Bạn có thể kiểm tra vị trí của đại lý sửa chữa được ủy quyền gần nhất bằng cách liên hệ với văn phòng DEWALT tại nơi bạn sống theo địa chỉ cung cấp trong sổ tay hướng dẫn này. Ngoài ra, còn có danh sách các đại lý sửa chữa được ủy quyền của DEWALT và đầy đủ thông tin chi tiết về dịch vụ hậu mãi và các thông tin liên hệ tại website: www.2helpU.com.

KHẮC PHỤC SỰ CỐ

| SỰ CỐ | NGUYÊN NHÂN CÓ THỂ | GIẢI PHÁP CÓ THỂ |
|------------------------------|---------------------------------|---|
| Thiết bị sẽ không khởi động. | Chưa cắm dây điện. | Cắm dụng cụ vào ổ cắm có điện. |
| | Cầu chì mạch điện bị nổ. | Thay thế cầu chì mạch điện. (Nếu sản phẩm liên tục bị nổ cầu chì, ngừng sử dụng ngay lập tức và yêu cầu bảo dưỡng bởi nhân viên sửa chữa được ủy quyền của DEWALT.) |
| | Cầu dao bị ngắt. | Khởi động lại cầu dao. (Nếu sản phẩm liên tục bị ngắt cầu dao, ngừng sử dụng ngay lập tức và yêu cầu bảo dưỡng bởi nhân viên sửa chữa được ủy quyền của DEWALT.) |
| | Dây điện hoặc công tắc bị hỏng. | Thay dây điện hoặc công tắc bởi nhân viên sửa chữa được ủy quyền của DEWALT. |

